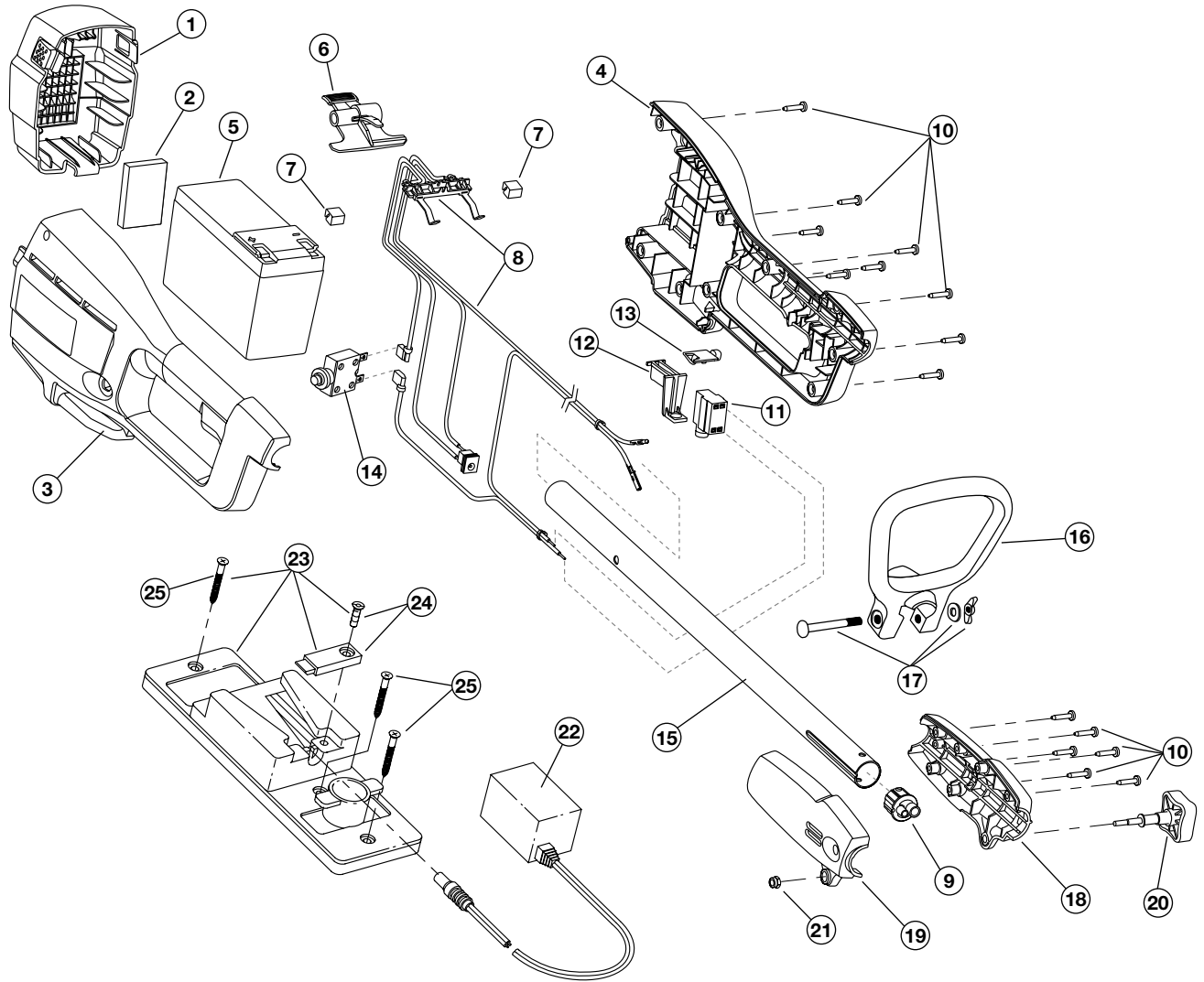


BATTERY HOUSING PARTS—MODEL 155VP

12 VOLT BATTERY TRIMMER WITH BLOWER ATTACHMENT

(Serial Number 907000001 and greater)



<u>Item</u>	<u>Part No.</u>	<u>Description</u>	<u>Item</u>	<u>Part No.</u>	<u>Description</u>
1	182696	Battery Door	14	180365	Circuit Breaker
2	182542	Foam Pad	15	182706	Upper Motor Wire Tube
3	182697	Right Battery Housing	16	145819	D-Handle
4	182698	Left Battery Housing	17	181587	Handle Hardware
5	182391	12 Volt Battery	18	182707	Left Coupler Housing
6	182699	Battery Latch	19	182708	Right Coupler Housing
7	182702	Terminal Spacer	20	181618	Knob (includes 21)
8	182703	Wiring Harness Assembly (includes 9)	21	181886	Lock Nut
9	182711	Plug Connector	22	182534	12 Volt Charger
10	181482	Housing Screw	23	180295	Charging Station Stand (includes 24 & 25)
11	180150	Switch Assembly (includes 12)	24	180378	Barrel Clamp with Screw
12	182704	Trigger	25	182709	Mounting Screw
13	182705	Lock-Off Button			

ATTACHMENT PARTS—MODEL 155VP

12 VOLT BATTERY TRIMMER WITH BLOWER ATTACHMENT

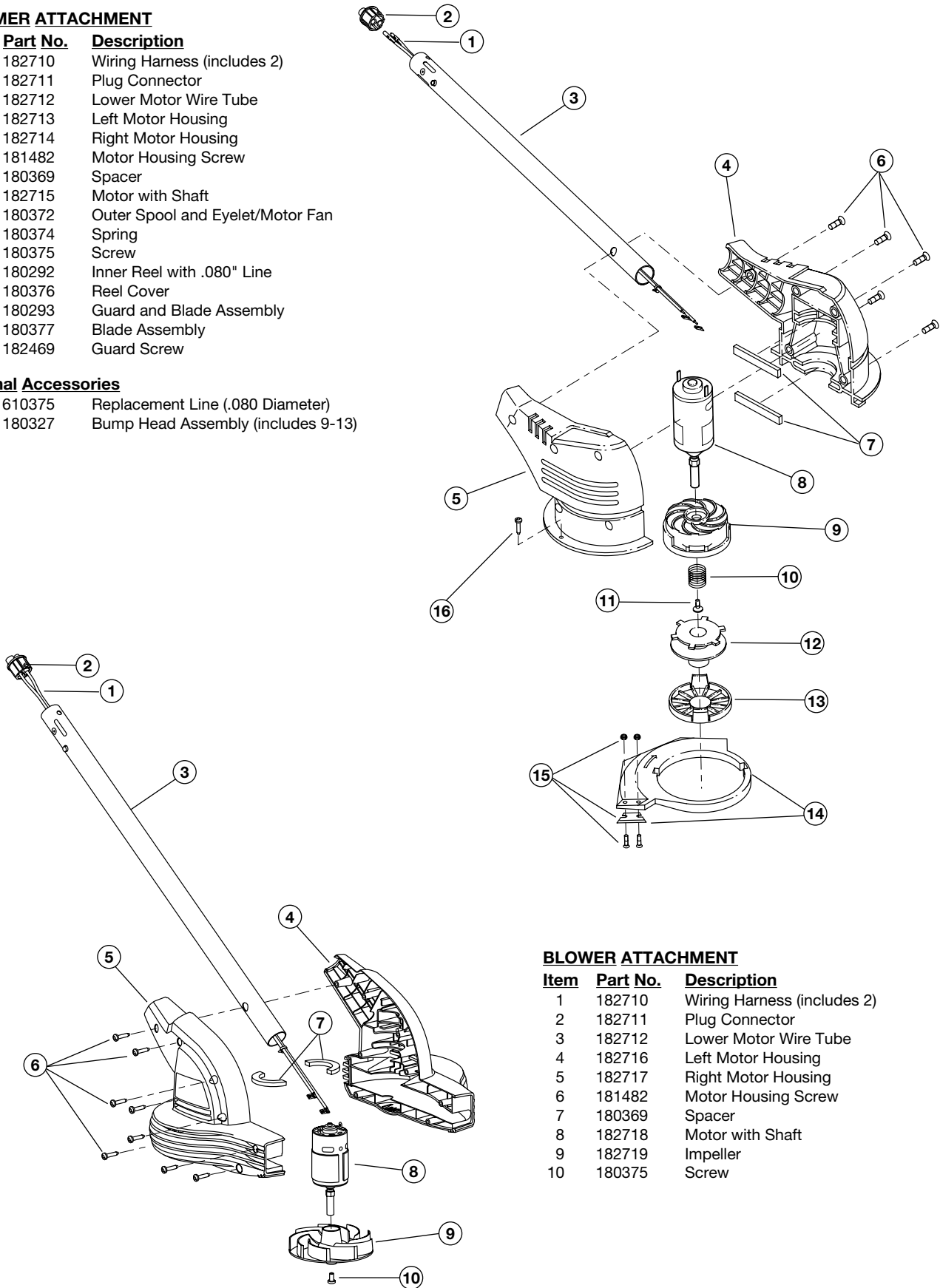
(Serial Number 907000001 and greater)

TRIMMER ATTACHMENT

Item	Part No.	Description
1	182710	Wiring Harness (includes 2)
2	182711	Plug Connector
3	182712	Lower Motor Wire Tube
4	182713	Left Motor Housing
5	182714	Right Motor Housing
6	181482	Motor Housing Screw
7	180369	Spacer
8	182715	Motor with Shaft
9	180372	Outer Spool and Eyelet/Motor Fan
10	180374	Spring
11	180375	Screw
12	180292	Inner Reel with .080" Line
13	180376	Reel Cover
14	180293	Guard and Blade Assembly
15	180377	Blade Assembly
16	182469	Guard Screw

Optional Accessories

- * 610375 Replacement Line (.080 Diameter)
- * 180327 Bump Head Assembly (includes 9-13)



BLOWER ATTACHMENT

Item	Part No.	Description
1	182710	Wiring Harness (includes 2)
2	182711	Plug Connector
3	182712	Lower Motor Wire Tube
4	182716	Left Motor Housing
5	182717	Right Motor Housing
6	181482	Motor Housing Screw
7	180369	Spacer
8	182718	Motor with Shaft
9	182719	Impeller
10	180375	Screw