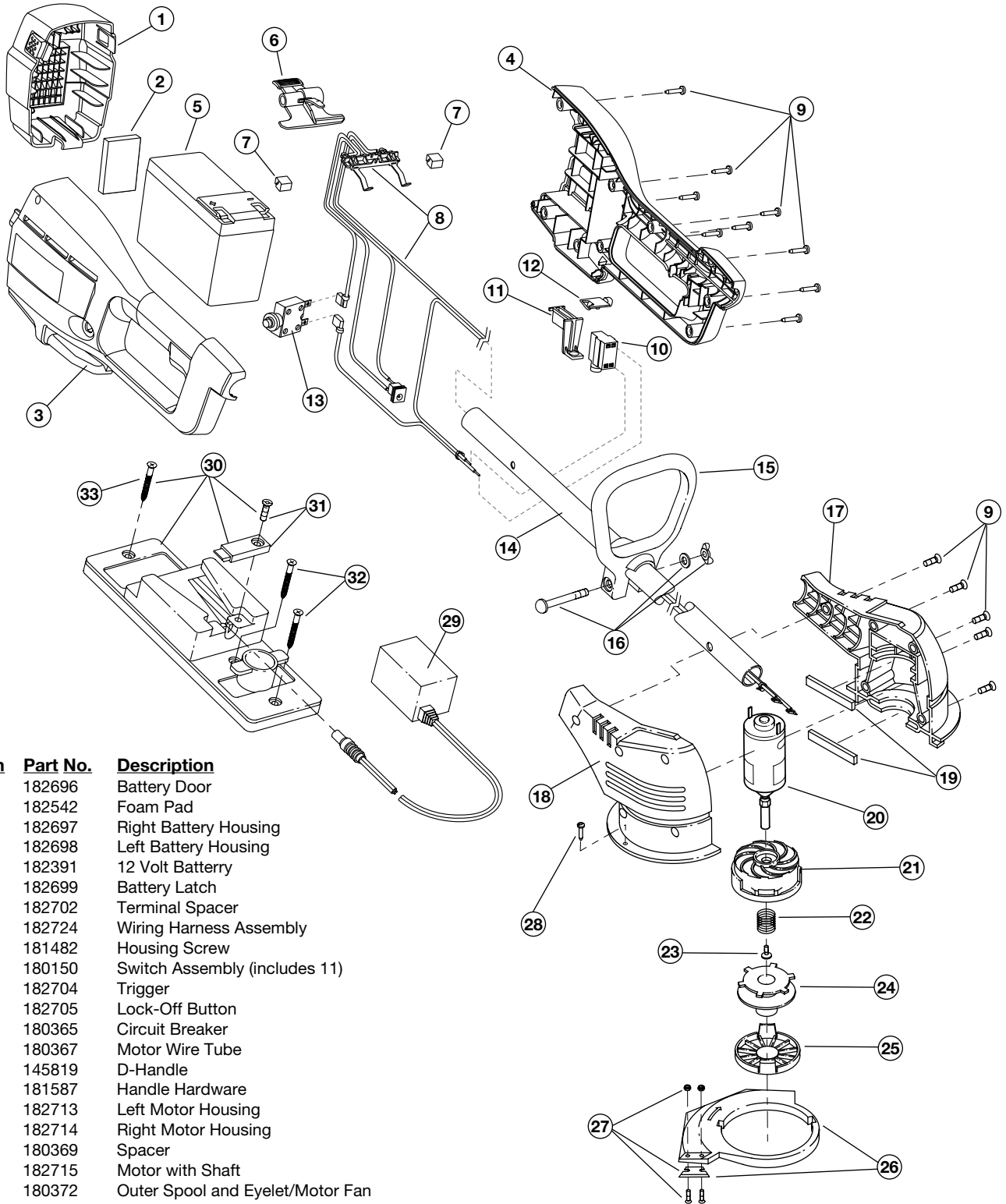


REPLACEMENT PARTS—MODEL 155r

12 VOLT BATTERY TRIMMER

(Serial Number 911047254 and greater)



Item	Part No.	Description
1	182696	Battery Door
2	182542	Foam Pad
3	182697	Right Battery Housing
4	182698	Left Battery Housing
5	182391	12 Volt Battery
6	182699	Battery Latch
7	182702	Terminal Spacer
8	182724	Wiring Harness Assembly
9	181482	Housing Screw
10	180150	Switch Assembly (includes 11)
11	182704	Trigger
12	182705	Lock-Off Button
13	180365	Circuit Breaker
14	180367	Motor Wire Tube
15	145819	D-Handle
16	181587	Handle Hardware
17	182713	Left Motor Housing
18	182714	Right Motor Housing
19	180369	Spacer
20	182715	Motor with Shaft
21	180372	Outer Spool and Eyelet/Motor Fan
22	180374	Spring
23	180375	Screw
24	180292	Inner Reel with .080" Line
25	180376	Reel Cover
26	180293	Guard and Blade Assembly
27	180377	Blade Assembly
28	182469	Guard Screw
29	182534	12 Volt Charger
30	180295	Charging Station Stand (includes 31 & 32)

Item	Part No.	Description
31	180378	Barrel Clamp with Screw
32	182709	Mounting Screw

Optional Accessories

*	610375	Replacement Line (.080 Diameter)
*	180327	Bump Head Assembly (includes 21-25)