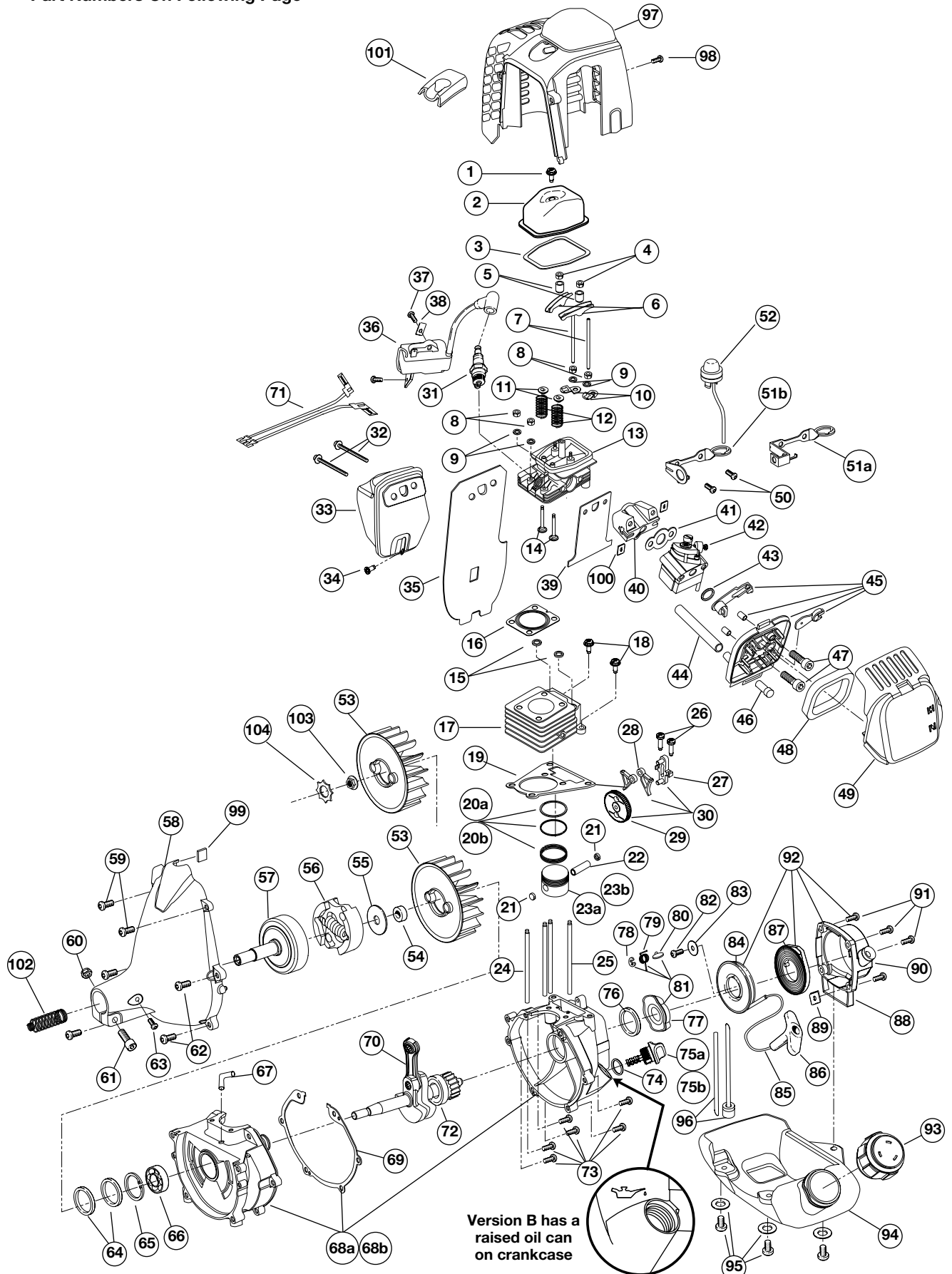


ENGINE PARTS - MODEL 1079r

4-CYCLE GAS TRIMMER

(Serial Number 901200206 and greater)

Part Numbers On Following Page



ENGINE PARTS - MODEL 1079r

4-CYCLE GAS TRIMMER

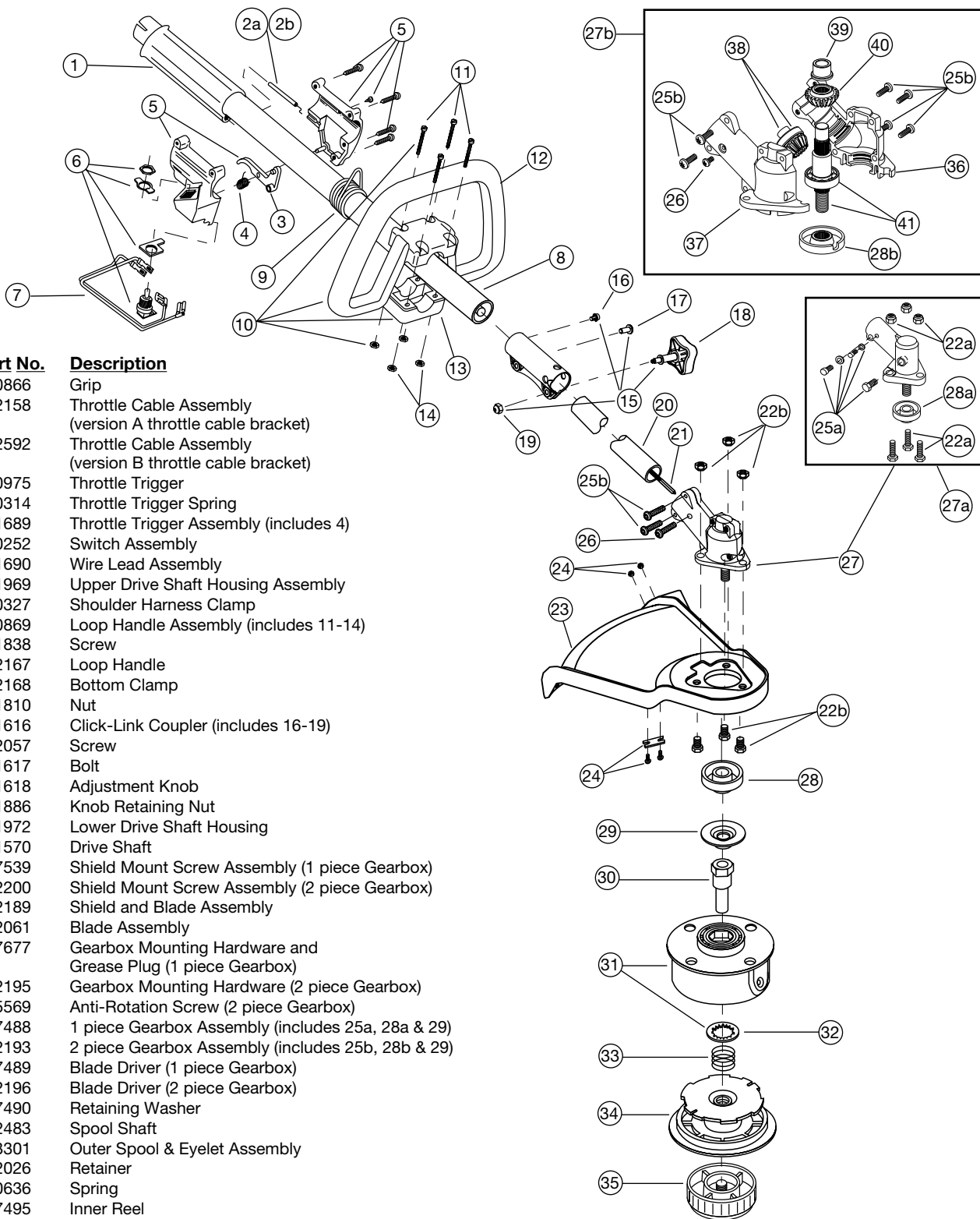
(Serial Number 901200206 and greater)

<u>Item</u>	<u>Part No.</u>	<u>Description</u>	<u>Item</u>	<u>Part No.</u>	<u>Description</u>
1	181025	Valve Cover Screw	58	182114	Front Housing
2	182098	Valve Cover	59	181764	Screw
3	182099	Valve Cover Gasket	60	181761	Nut
4	181030	Rocker Adjustment Nut	61	181760	Engine Bolt
5	182101	Rocker Arm Pivot	62	181003	Screw
6	182100	Rocker Arm	63	182188	Anti-Rotation Screw
7	181033	Push Rod	64	182127	Oil Seal
8	181034	Hex Nut	65	182128	Snap Ring
9	181035	Washer	66	182134	Bearing
10	182102	Push Rod Guide	67	182135	90° Elbow
11	182103	Valve Spring Retainer	68a	182140	Crankcase (version A) (includes 73)
12	181038	Valve Spring	68b	182593	Crankcase (version B) (includes 73)
13	182306	Cylinder Head with Valve Seal (includes 10-14)	69	182136	Crankcase Gasket
14	181040	Valve	70	182139	Crankshaft
15	181000	O-Ring	71	182126	Lead Wire
16	181001	Cylinder Head Gasket	72	182138	Bearing
17	182132	Cylinder	73	182147	Screw
18	181003	Screw (M5 x 18.7mm)	74	181021	O-Ring
19	181004	Cylinder Gasket	75a	181022	Oil Cap Dipstick (version A crankcase) (includes 74)
20a	181005	Piston Ring Set (1 Piece Oil Ring)	75b	182289	Oil Cap Dipstick (version B crankcase) (includes 74)
20b	182295	Piston Ring Set (3 Piece Oil Ring)	76	182142	Oil Seal
21	181008	Wrist Pin Button	77	182187	Pulley with Nut
22	181006	Wrist Pin	78	181747	Retaining Ring
23	181007	Piston (1 Piece Oil Ring)	79	181746	Spring
23	182300	Piston (3 Piece Oil Ring)	80	181745	Ratchet
24	181010	Cylinder Stud (83.5mm)	81	182118	Pulley Assembly (includes 77-88)
25	181011	Cylinder Stud (115.5mm)	82	181740	Screw
26	181012	Cam Bracket Screw	83	181741	Washer
27	181013	Cam Bracket	84	181738	Recoil Pulley
28	182123	Cam Follower (Chromed)	85	181742	Rope
29	182124	Cam Gear	86	181079	Pull Handle
30	182125	Cam Bracket Assembly (includes 26-29)	87	181739	Recoil Spring
31	180852	Spark Plug	88	182120	Recoil Case
32	182105	Muffler Mounting Screw	89	182121	Square Nut
33	182106	Muffler	90	182122	Rope Guide
34	181020	Screw	91	182143	Screw
35	182107	Muffler Gasket	92	182117	Recoil Case Assembly (includes 82-91)
36	182108	Module	93	181083	Fuel Cap
37	181066	Screw	94	182130	Fuel Tank
38	611063	Ground Tab	95	182144	Screw with Washer
39	182131	Insulator Gasket	96	182129	Fuel Line Assembly
40	182109	Insulator	97	182145	Engine Cover
41	181709	Carburetor Gasket	98	182146	Screw
42	182110	Carburetor	99	182157	Wire Grommet
43	181751	O-Ring, Carburetor	100	182159	Nut
44	182096	Breather Hose	101	182293	Spark Plug Cover
45	182111	Air Cleaner Assembly	102	612468	Spring
46	182097	Breather assembly	103	182261	Nut (version A flywheel mounting)
47	182133	Screw	104	182591	Lock Washer (version A flywheel mounting)
48	182116	Air Filter	*	182595	Crankcase Assembly (includes 24, 25 & 64-76)
49	182115	Air Cleaner Cover	*	182594	Short Block Assembly (includes 1-30, & 64-76)
50	182105	Screw	*	182307	Valve Stem Seal
51a	182112	Throttle Cable Bracket (version A)	*	182153	Spark Arrestor Screen
51b	182589	Throttle Cable Bracket (version B)	*	182156	AC-10 Carburetor Repair Kit
52	181054	Primer and Line Assembly			
53	182113	Flywheel			
54	181731	Spacer (version B flywheel mounting)			
55	182590	Clutch Washer			
56	181730	Clutch			
57	180232	Clutch Drum			
			*	Parts not shown	

BOOM AND TRIMMER PARTS - MODEL 1079r

4-CYCLE GAS TRIMMER

(Serial Number 901200206 and greater)



Item	Part No.	Description
1	180866	Grip
2a	182158	Throttle Cable Assembly (version A throttle cable bracket)
2b	182592	Throttle Cable Assembly (version B throttle cable bracket)
3	180975	Throttle Trigger
4	610314	Throttle Trigger Spring
5	181689	Throttle Trigger Assembly (includes 4)
6	180252	Switch Assembly
7	181690	Wire Lead Assembly
8	181969	Upper Drive Shaft Housing Assembly
9	610327	Shoulder Harness Clamp
10	180869	Loop Handle Assembly (includes 11-14)
11	181838	Screw
12	182167	Loop Handle
13	182168	Bottom Clamp
14	181810	Nut
15	181616	Click-Link Coupler (includes 16-19)
16	182057	Screw
17	181617	Bolt
18	181618	Adjustment Knob
19	181886	Knob Retaining Nut
20	181972	Lower Drive Shaft Housing
21	181570	Drive Shaft
22a	147539	Shield Mount Screw Assembly (1 piece Gearbox)
22b	182200	Shield Mount Screw Assembly (2 piece Gearbox)
23	182189	Shield and Blade Assembly
24	682061	Blade Assembly
25a	147677	Gearbox Mounting Hardware and Grease Plug (1 piece Gearbox)
25b	182195	Gearbox Mounting Hardware (2 piece Gearbox)
26	145569	Anti-Rotation Screw (2 piece Gearbox)
27a	147488	1 piece Gearbox Assembly (includes 25a, 28a & 29)
27b	182193	2 piece Gearbox Assembly (includes 25b, 28b & 29)
28a	147489	Blade Driver (1 piece Gearbox)
28b	182196	Blade Driver (2 piece Gearbox)
29	147490	Retaining Washer
30	612483	Spool Shaft
31	683301	Outer Spool & Eyelet Assembly
32	612026	Retainer
33	610636	Spring
34	147495	Inner Reel
35	180814	Bump Head Knob Assembly

2 Piece Gearbox Assembly Parts – Item 27b

36	182191	Left Housing
37	182192	Right Housing
38	182194	Pinion Gear Assembly
39	182199	Output Shaft Bushing
40	182198	Output Shaft Gear
41	182197	Output Shaft Assembly (includes 39 & 40)

Optional Accessories

*	612454	Replacement Line, 0.095 Diameter
*	147345	Reel and Line Assembly
*	147498	Bump Head Assembly (includes 30-35)
*	181786	Ryobi 4-Cycle Motor Oil
*	682075	Shoulder Harness
*	300026	Brush Cutter Accessory Kit

* Items Not Shown