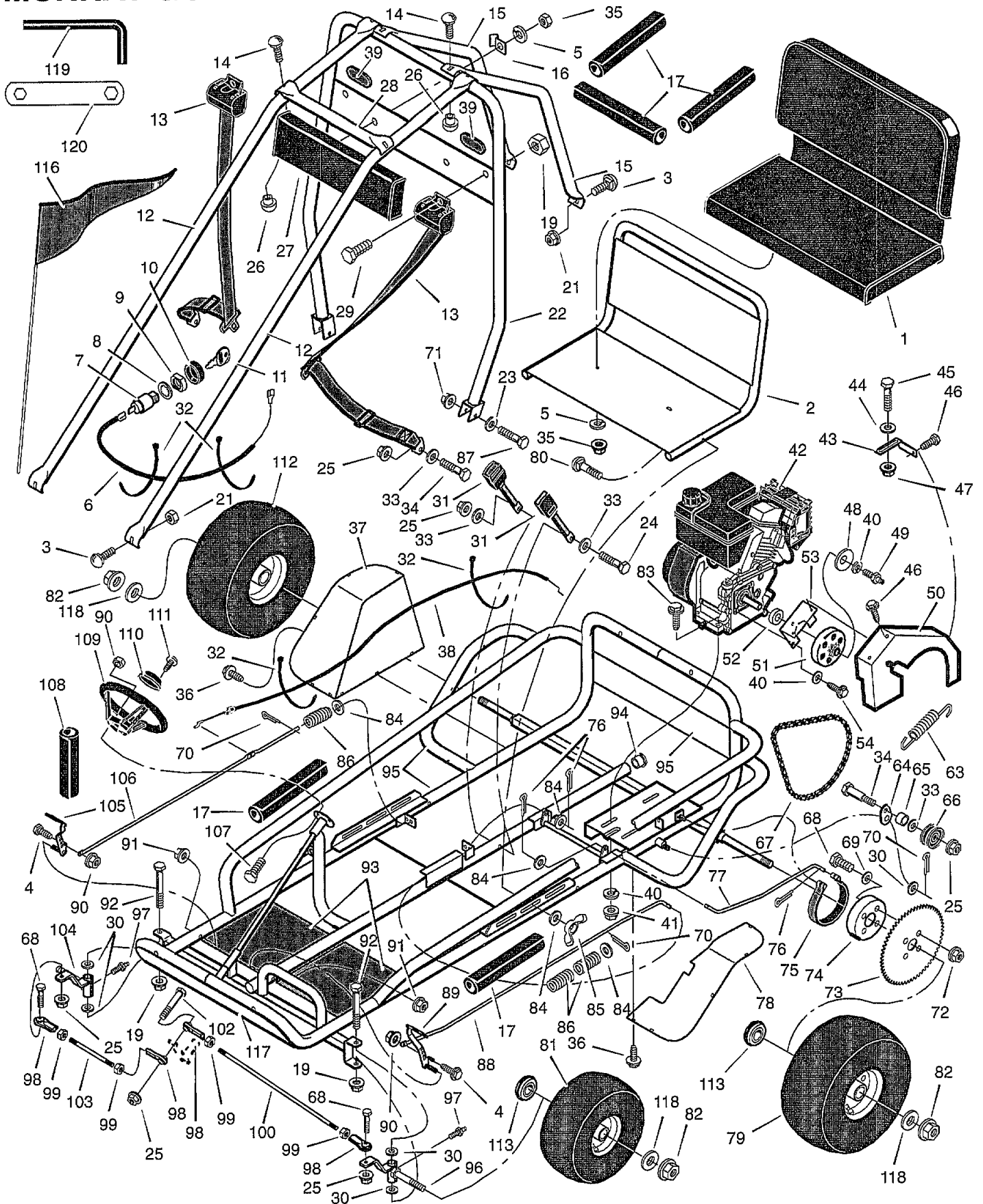


REPAIR PARTS

MURRAY GO-KART

MODEL GT60101x92E



REPAIR PARTS

MURRAY GO-KART

MODEL GT60101x92E

| Key No. | Description | Part No. | Key No. | Description | Part No. |
|---------|-----------------------|------------|---------|----------------------|------------|
| 1 | Seat | 680297 | 32 | Tie | 71372 |
| 2 | Frame Assembly, Seat | 680040E245 | 33 | Washer | 17x53 Z |
| 3 | Bolt, Carriage | 2x91 | 34 | Bolt, Shoulder | 1x87 |
| 4 | Bolt | 1x163 | 35 | Nut | 15x82 |
| 5 | Lockwasher | 18x32 | 36 | Screw | 26x245 |
| 6 | Wire, Kill | 680092 | 37 | Fender, Right | 680034E701 |
| 7 | Switch, ON/OFF | 23665 | 38 | Cable, Throttle | 680093 |
| 8 | Washer | 19x40 | 39 | Reflector | 680059 |
| 9 | Nut | 91489 | 40 | Lockwasher | 18x16 |
| 10 | Cap, Ignition | 91488 | 41 | Nut, Flange | 15x79 |
| 11 | Key | 672220 | 42 | Engine * | * |
| 12 | Frame Tube | 680288E245 | 43 | Bracket, Chain Guard | 680091E701 |
| 13 | Belt, Seat | 680062 | 44 | Washer | 17x37 |
| 14 | Bolt, Carriage | 2x83 | 45 | Bolt, Shoulder | 1x90 |
| 15 | Frame Tube, Rear | 680018E245 | 46 | Screw | 26x259 |
| 16 | Bracket, Flag | 680036 Z | 47 | Locknut | 15x116 |
| 17 | Pad, Tube (13 inches) | 680077 | 48 | Washer | 17x203 |
| 19 | Nut | 15x136 | 49 | Bolt, Grease Fitting | 680312 |
| 21 | Locknut | 15x123 | 50 | Guard, Chain | 680030E701 |
| 22 | U-Tube Assembly | 680010E245 | 51 | Clutch, Centrifugal | 680061 |
| 23 | Washer | 17x44 | 52 | Spacer, Clutch | 92280 |
| 24 | Bolt, Shoulder | 1x157 | 53 | Bracket, Chain Guard | 680025E701 |
| 25 | Locknut | 15x84 | 54 | Screw | 1x62 |
| 26 | Nut, Barrel | 15x135 | 63 | Spring | 165x129 |
| 27 | Headrest | 680193 | 64 | Arm, Pivot | 24502 Z |
| 28 | Tube, Cross Brace | 680011E245 | 65 | Spacer | 671914 |
| 29 | Bolt, Shoulder | 9x66 | 66 | Idler, Chain | 680086 |
| 31 | Seat Belt | 680062 | | | |

REPAIR PARTS

MURRAY GO-KART

MODEL GT60101x92E

| Key No. | Description | Part No. | Key No. | Description | Part No. |
|---------|-------------------------------|------------|---------|------------------------------|------------|
| 67 | Chain, #40 (35" Long) | 776924 | 92 | Bolt, Shoulder | 1x159 |
| 68 | Bolt | 1x108 | 93 | Floormat | 680087 |
| 69 | Washer | 18x31 | 94 | Plug, End | 680081 |
| 70 | Pin, Cotter | 30x49 | 95 | Chassis and Frame Assembly | 776916E245 |
| 71 | Nut | 15x79 | 96 | Spindle Assembly, Left | 680067E245 |
| 72 | Nut, Flange | 15x68 | 97 | Fitting, Lub | 92530 |
| 73 | Sprocket | 680031 | 98 | End, Tie Rod | 680070 |
| 74 | Bracket, Drum | 680001 | 99 | Locknut | 15x33 |
| 75 | Brake, Band | 680053 | 100 | Rod, Left Tie | 680084 Z |
| 76 | Pin, Cotter | 30x20 | 102 | Bolt, Shoulder | 1x111 |
| 77 | Rod, Rear Brake | 680101E245 | 103 | Rod, Right Tie | 680085 Z |
| 78 | Fender, Left | 680035E701 | 104 | Spindle Assembly, Right | 680066E245 |
| 79 | Drive Wheel and Tire Assembly | 680313 | 105 | Pedal, Accelerator | 680120 Z |
| — | Tire 15 x 6.00-6 | 776941 | 106 | Rod, Accelerator | 680029E245 |
| — | Tube | 407047 | 107 | Bolt | 1x90 |
| — | Valve Stem | 24373 | 108 | Pad, Tube (6 inches) | 680080 |
| 80 | Bolt, Carriage | 2x77 | 109 | Wheel, Steering | 680065 |
| 81 | Front Wheel and Tire Assembly | 680294 | 110 | Cap, Steering Wheel | 680060 |
| — | Tire 11 x 4.00-5 | 776940 | 111 | Screw | 26x285 |
| — | Tube | 776903 | 112 | Rear Wheel and Tire Assembly | 680110 |
| — | Valve Stem | 24373 | — | Tire 15 x 6.00-6 | 776941 |
| 82 | Nut, Axle | 15x128 | — | Tube | 407047 |
| 83 | Bolt | 1x131 | — | Valve Stem | 24373 |
| 84 | Washer | 17x47 Z | 113 | Bearing, Front Wheel | 680106 |
| 85 | Knob | 680103 | 116 | Flag | 680073 |
| 86 | Spring | 164x32 | 117 | Floorpan, Front | 680114E245 |
| 87 | Bolt, Shoulder | 1x120 | 118 | Washer | 17x197 |
| 88 | Rod, Front Brake | 680028E245 | 119 | Wrench, Hex | 680274 |
| 89 | Pedal, Brake | 680121 Z | 120 | Wrench, Assembly | 680230 Z |
| 90 | Locknut | 15x89 | — | Book, Instruction | F-000301L |
| 91 | Locknut | 15x88 | | | |

* Parts are available from a Authorized Engine Service Center. See "Engines, Gasoline" or "Gasoline Engines" in the yellow pages of the telephone directory.