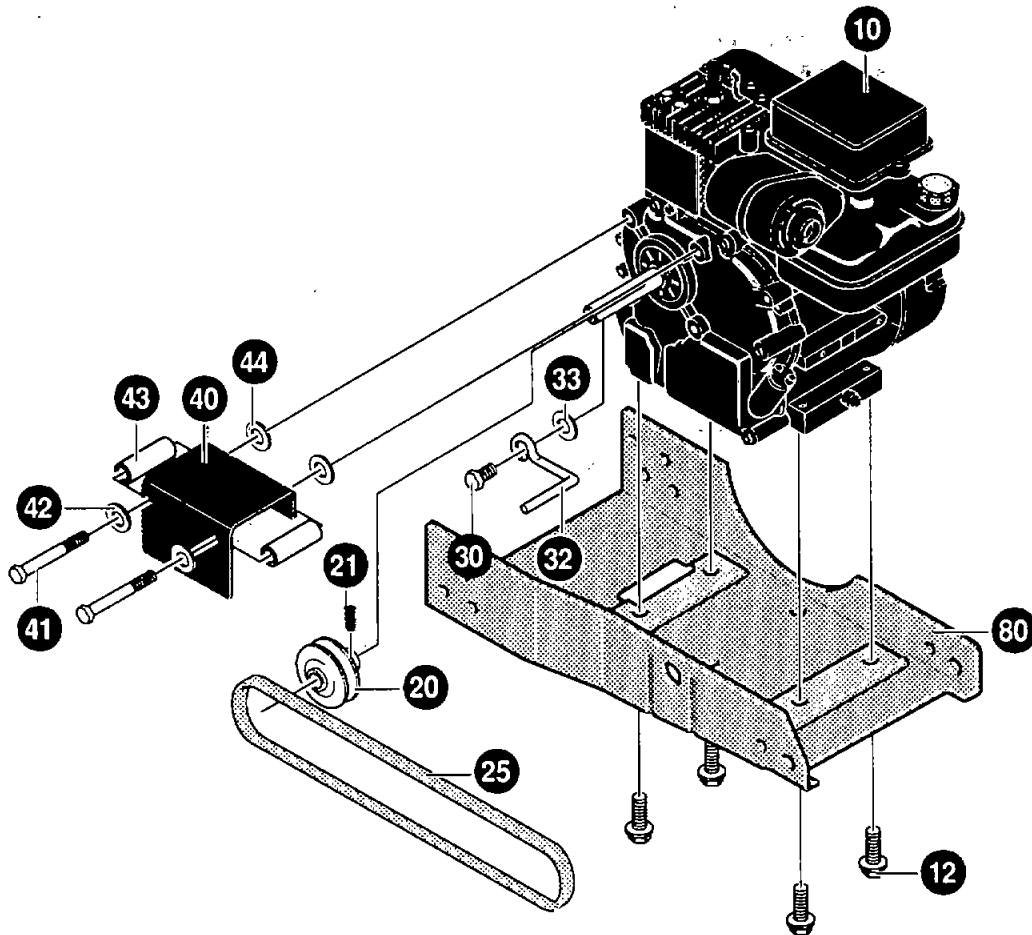


REPAIR PARTS MODEL F3009-100

ENGINE ASSEMBLY

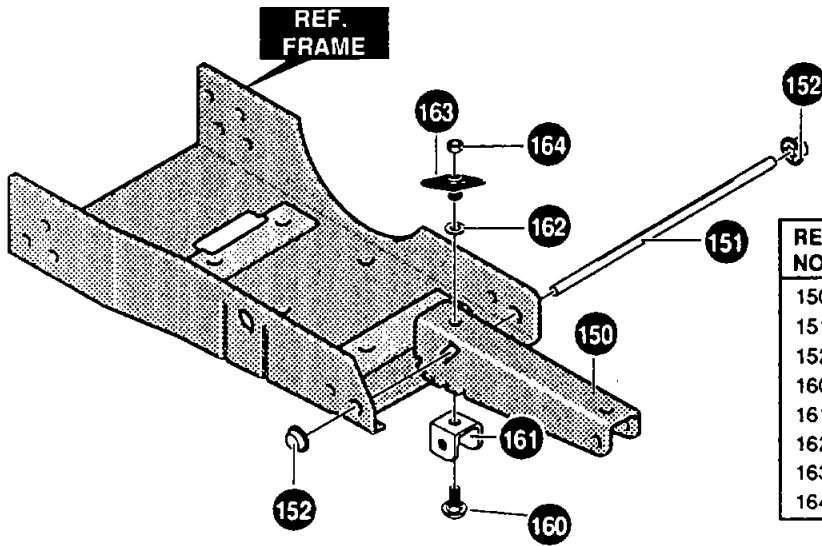


REF NO.	PART NO.	DESCRIPTION
10	ENGINE	3.5 HP B&S (See Engine Manual)
12	48148	SCREW, 3/8-16X1.00
20	32689	PULLEY, ENGINE
22	102580	SCREW, 5/16-18X.25
25	32668	BELT, V 4L 32.60LG
30	313011	SCREW AND WASHER ASSY.
32	51600	GUIDE, BELT
33	120393	FLATWASHER .344X.69X.065
40	53406-854	COVER ENGINE PULLEY
41	181624	SCREW, 5/16-24X3.00
42	120393	FLATWASHER .344X.69X.065
43	53407	SPACER, SLEV .335X.43X2.37
44	120393	FLATWASHER .344X.69X.065
80	52154-854	FRAME, EDGER
	336684	OWNER MANUAL(NOT SHOWN)

324722B

REPAIR PARTS MODEL F3009-100

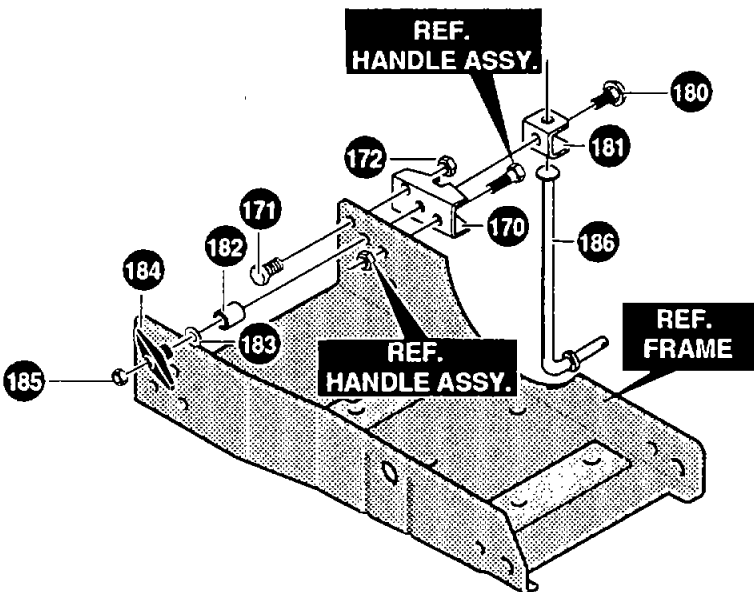
WHEEL BRACKET ASSEMBLY



REF. NO.	PART NO.	DESCRIPTION
150	51620-854	CHANNEL, FRONT WHEEL
151	51376	ROD, FRT MOUNT CURB HOPPER
152	51615	PUSHNUT, WASHER
160	120230	CARR. BOLT, 5/16-18X1.25
161	8082	CLEVIS
162	120393	FLATWASHER .344X.69X.065
163	13527	KNOB, T W/516/18 NUT
164	120376	NUT, 5/16-18 REGHEX

332094B

CURB HOPPER ASSEMBLY

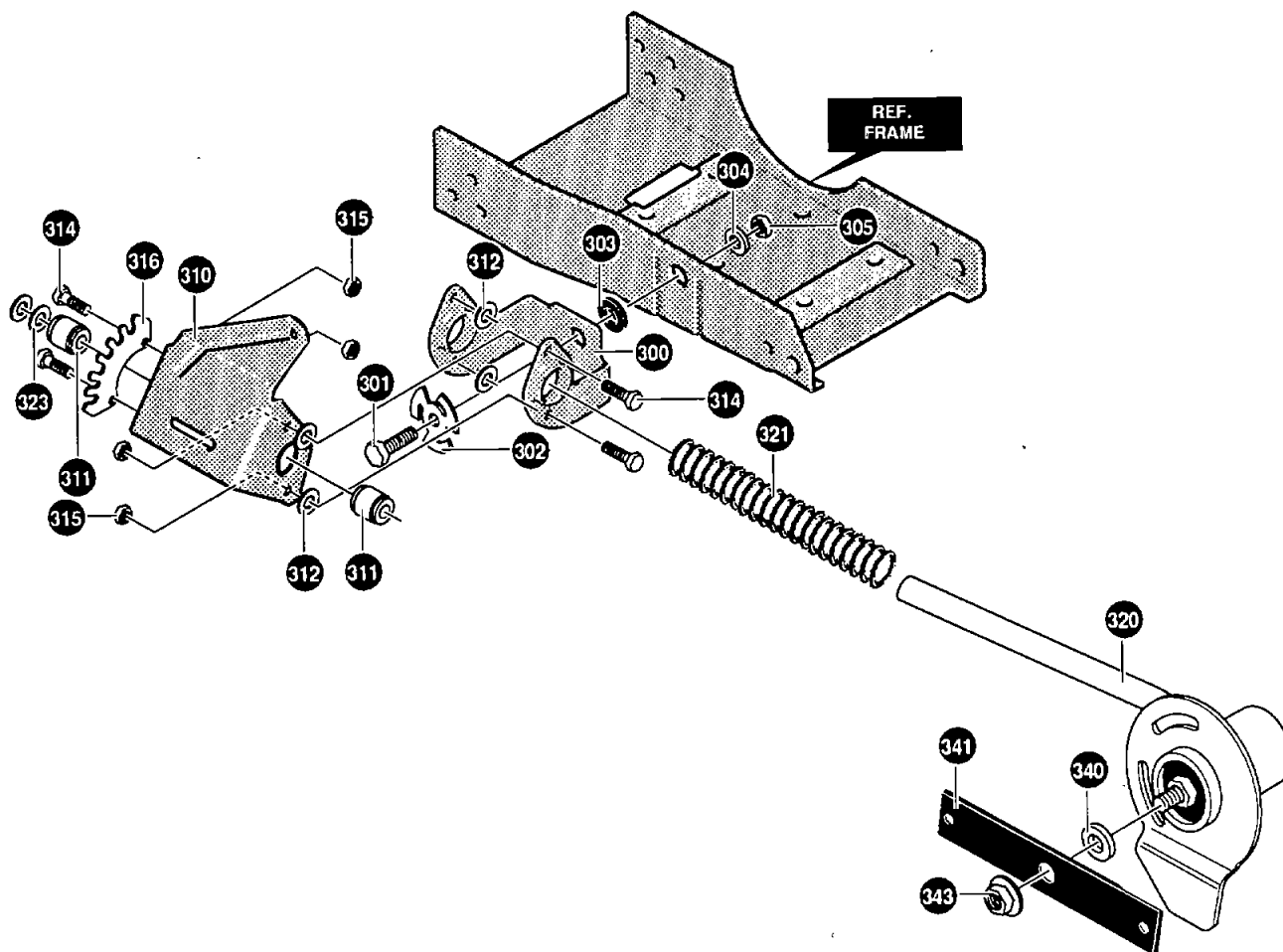


REF. NO.	PART NO.	DESCRIPTION
170	6842	BRKT, CURB HOP MNT
171	180077	SCREW, 5/16-18X .75
172	1498	NUT, 5/16-18REGHEXCTRLK
180	126380	BOLT, 5/16-18X2.00
181	8082	CLEVIS, BRZN953
182	45222	SPACER, SLEV .356X.63X1.01
183	120393	FLATWASHER .344X.69X.065
184	13527	KNOB, T W/516/18 NUT
185	120376	NUT, 5/16-18 REGHEX
186	310896	ROD, WHEEL SUPPORT

323416C

REPAIR PARTS MODEL F3009-100

BLADE COMPONENT ASSEMBLY

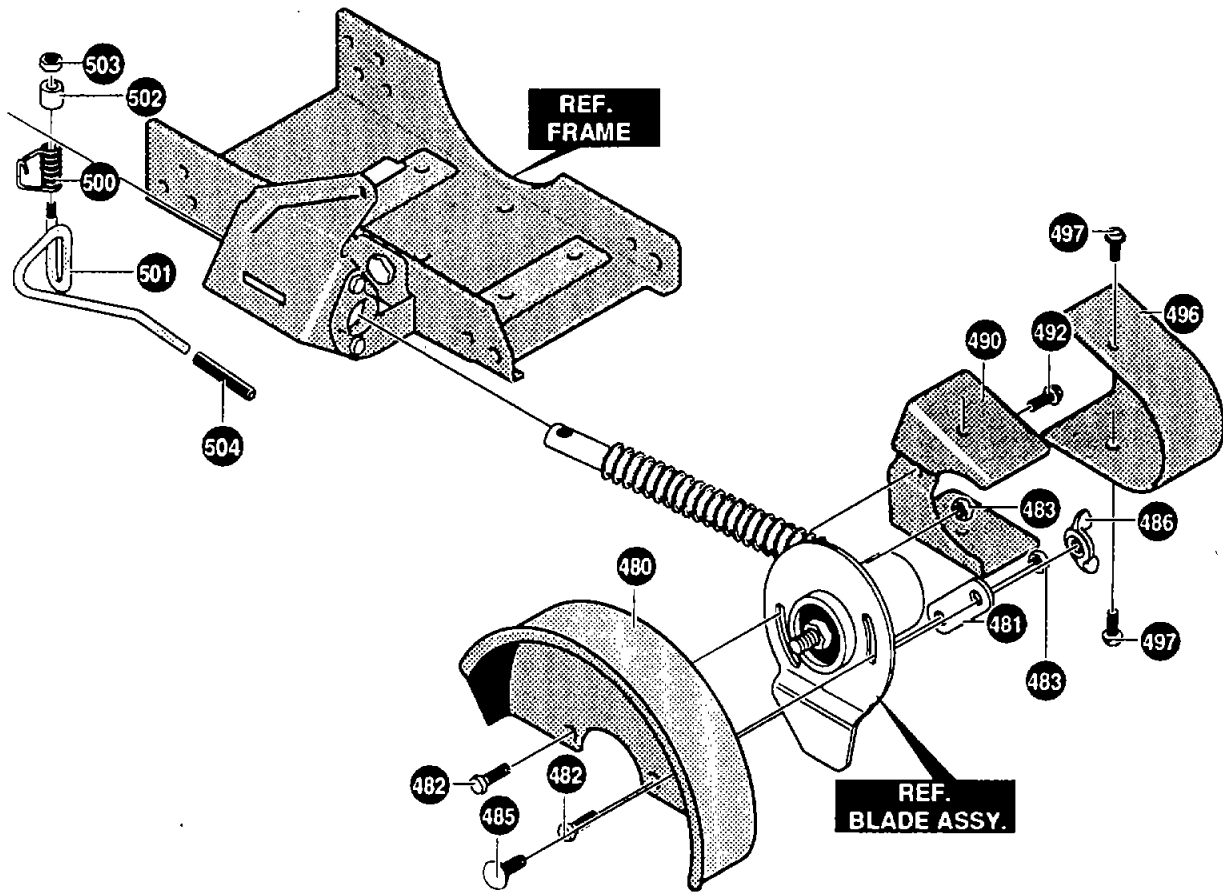


REF. NO.	PART NO.	DESCRIPTION
300	51629-854	SUPPORT ARM-INNER
301	51601	SHDER BOLT, .500X.453 3/8-16
302	20999	WASHER, SPRING
303	45405	SPACER, QUICK WHL PLAS
304	845	FLATWASHER .390X1.25X.119
305	1499	NUT, 3/8-16 REGHXCTRLK
310	51630-854	SUPPORT ARM-OUTER
311	51708	BRNG, SFAL . IDX . ODX .
312	120385	FLATWASHER .250X.56X.049
314	180020	SCREW, 1/4-20X .75 HHC
315	1502	NUT, 1/4-20 REGHEXCTRLK
316	6846	PLATE, INDEX
320	309722	QUILL, ASSY
321	51603	SPRING
323	40677	FLATWASHER .640X1.25X.06
340	22265	FLATWASHER .515X1.38X.119
341	20562-853	BLADE, EDGER 2PT
343	46023	NUT, 1/2-20 WDFL

323413D

REPAIR PARTS MODEL F3009-100

GUARD ASSEMBLY

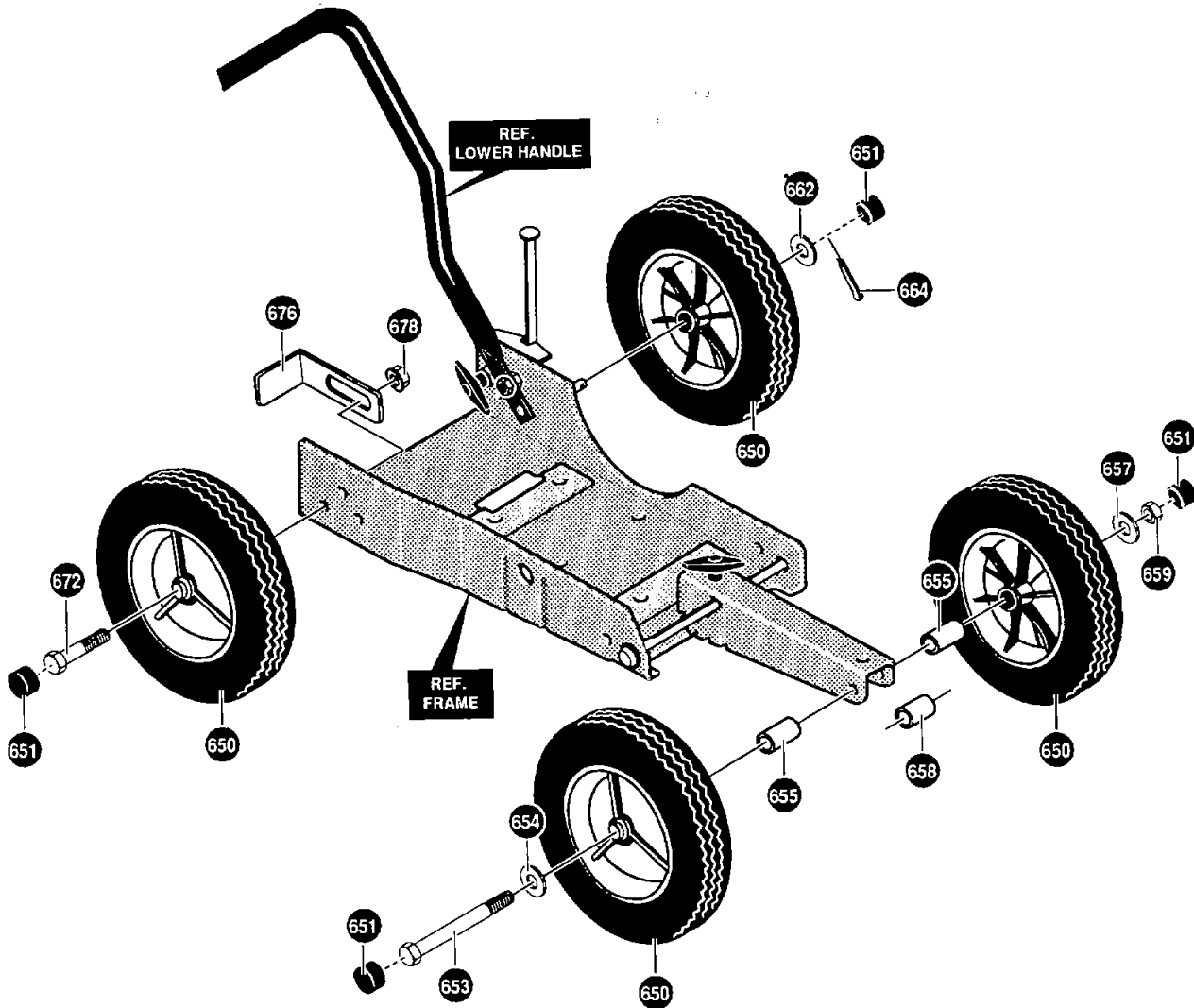


REF. NO.	PART NO.	DESCRIPTION
480	57024-854	GUARD, BLADE
481	6844	BAR, LOCKING
482	180077	SCREW, 5/16-18X .75 HHC
483	1498	NUT, 5/16-18 REGHEXCTRLK
485	57101	BOLT, 5/16-18X .75 CARR
486	997206	WING NUT
490	53915-854	GUIDE, BELT FRONT
492	995346	SCREW, 1/4-20X .50
496	53405-854	COVER QUILL PULLEY
497	302652	SCREW, 10-24X.38
500	51612	SPRING, INDEX
501	54787	LEVER, INDEX
502	51842	SPACER, SLEV .33 X .50X .25
503	1498	NUT, 5/16-18 REGHEXCTRLK
504	51598	GRIP, INDEX LEVER 5/16X2.00BLK

323288C

REPAIR PARTS MODEL F3009-100

TIRES W/SCRAPER ASSEMBLY

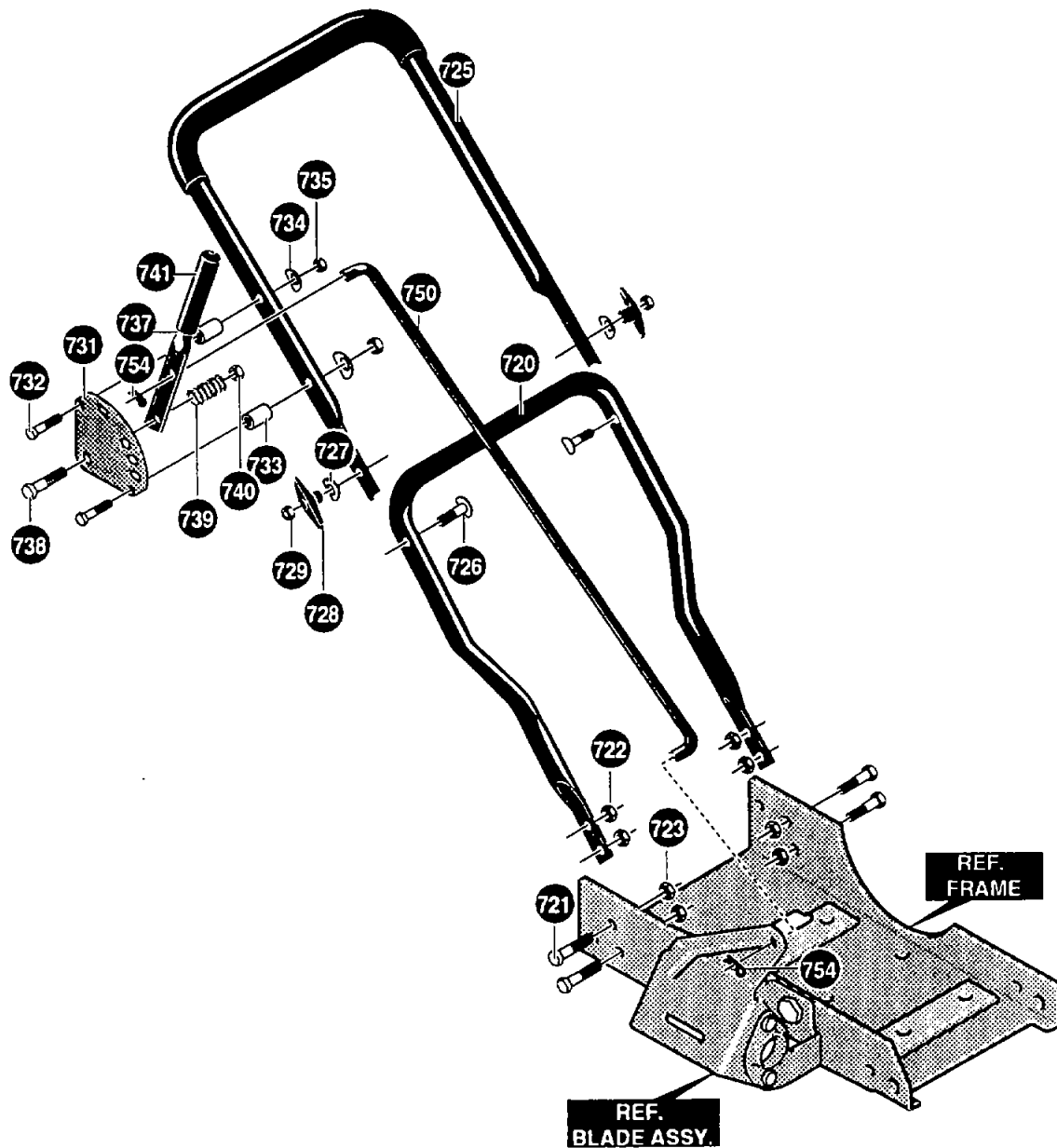


REF. NO.	PART NO.	DESCRIPTION
650	336005	TIRE & RIM, SEPU 8X1.75
651	336016	COVER, WHEEL
653	190628	SCREW, 5/16-18X4.50 HHC
654	120393	WASHER, FLAT .344X .69X.065
655	51887	SPACER, SLEV .328X .495X1.39
657	120393	WASHER, FLAT .344X .69X.065
658	51888	SPACER, SLEV .328X .495X1.05
659	1498	NUT, 5/16-18 REGHEXCTRLK
662	2968	WASHER, FLAT .504X .75X.059
664	121222	PIN, COTTER .090 DIA X .75LG
672	23763	BOLT, .500X1.390 HSH 3/8-16
676	9273	SCRAPER, WHEEL
678	45171	NUT, 3/8-16 HWDFL WHIZ-LOCK

328446D

REPAIR PARTS MODEL F3009-100

HANDLE ASSEMBLY



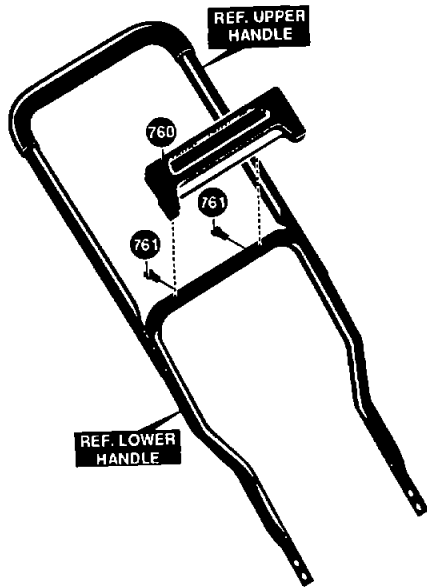
REF. NO.	PART NO.	DESCRIPTION
720	577179-853	HANDLE, LOWER 7/8
721	180079	SCREW, 5/16-18X1.00 HHC
722	45174	NUT, 5/16-18 HEXWDFLLK WHIZ
723	309936	NUT, 5/16-18 HXCTRLKJAM
725	577286	HDLE, UPR W/FOAM 7/8BLK/BLK
726	315288	BOLT, CUH 5/16-18 X1.75 IN.
727	8728	WASHER, .343IDX1.0X.062 FORM
728	13527	KNOB, T 2BLADE W/5/16/18 NUT
729	120376	NUT, 5/16-18 REGHEX
731	57020-853	PLATE, QUADRANT SHIFT/ENGAG
732	180044	SCREW, 1/4-20X2.00 HHC

REF. NO.	PART NO.	DESCRIPTION
733	56293	SPACER, SLEV .281X .50X .68
734	8728	WASHER, .343IDX1.0X.062 FORM
735	1502	NUT, 1/4-20 REGHEXCTRLK
737	305272-853	HANDLE, DEPTH ADJUST
738	180081	SCREW, 5/16-18X1.25 HHC
739	25644	SPRING
740	1498	NUT, 5/16-18 REGHEXCTRLK
741	20250	GRIP, HAND .75X4.87 BLACK
750	57021	ROD, DEPTH CONTROL 30.0 LG
754	36368	HAIR PIN, .072DIA X1.13LG

326655B

REPAIR PARTS MODEL F3009-100

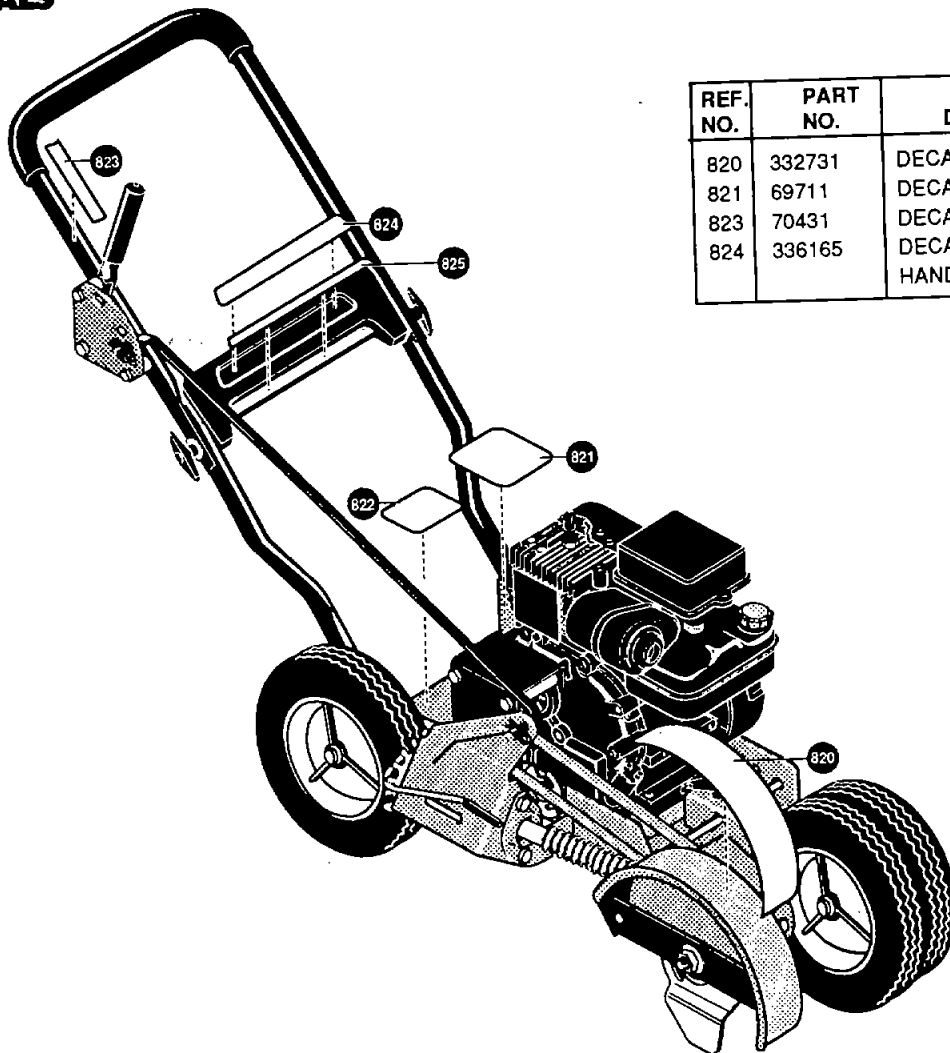
HANDLE SHROUD ASSEMBLY



REF. NO.	PART NO.	DESCRIPTION
760	54891	SHROUD, HANDLE PLAS
761	426221	SCREW, 10-16X .75 SLHTAP

328475C

DECALS



REF. NO.	PART NO.	DESCRIPTION
820	332731	DECAL, BLADE GUARD
821	69711	DECAL, INFORMATION !DANGER!
823	70431	DECAL, CLUTCH
824	336165	DECAL, CENTRAL PARK HANDLE PANEL

323414C