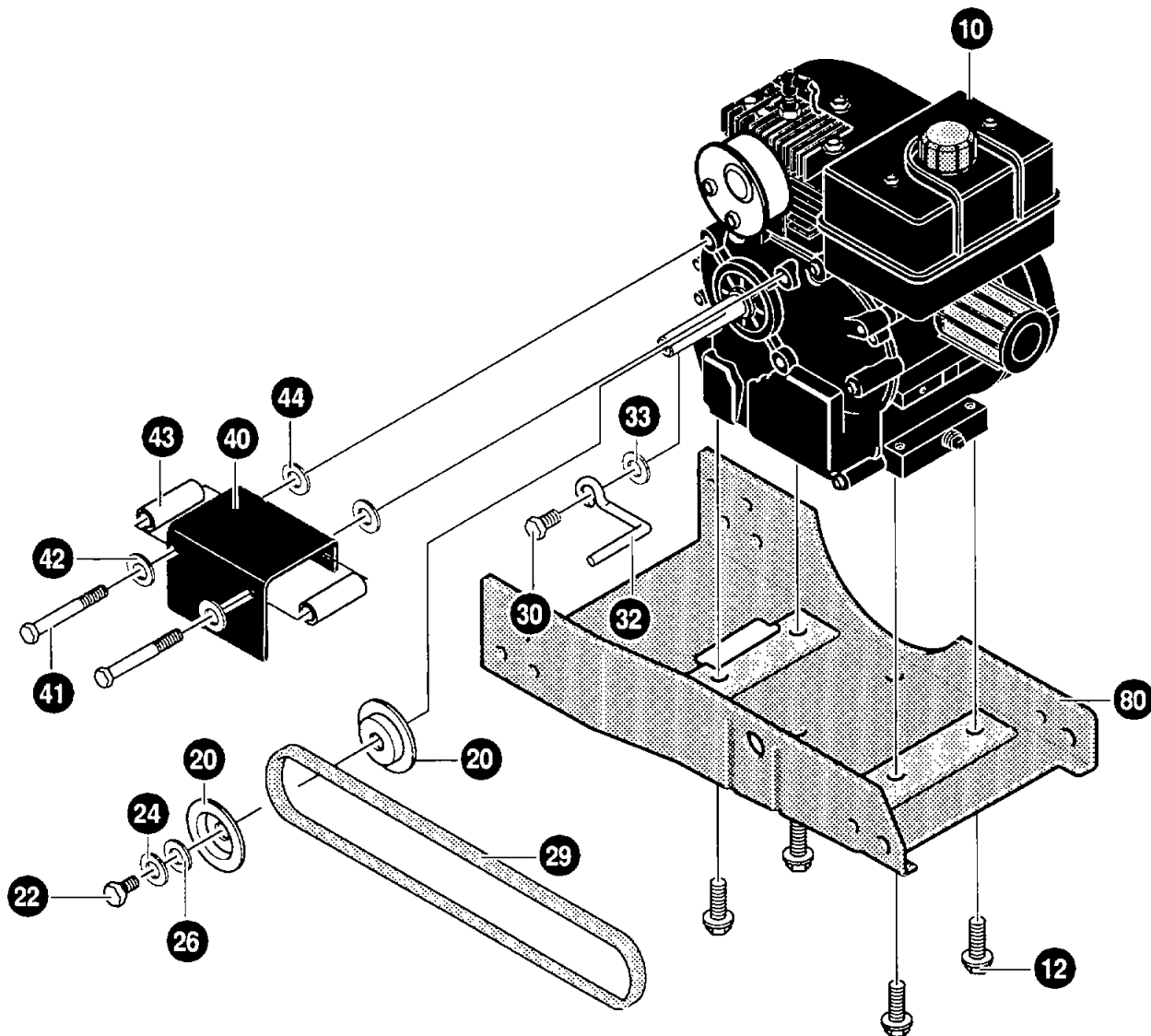


REPAIR PARTS MODEL F3009-090

ENGINE ASSEMBLY

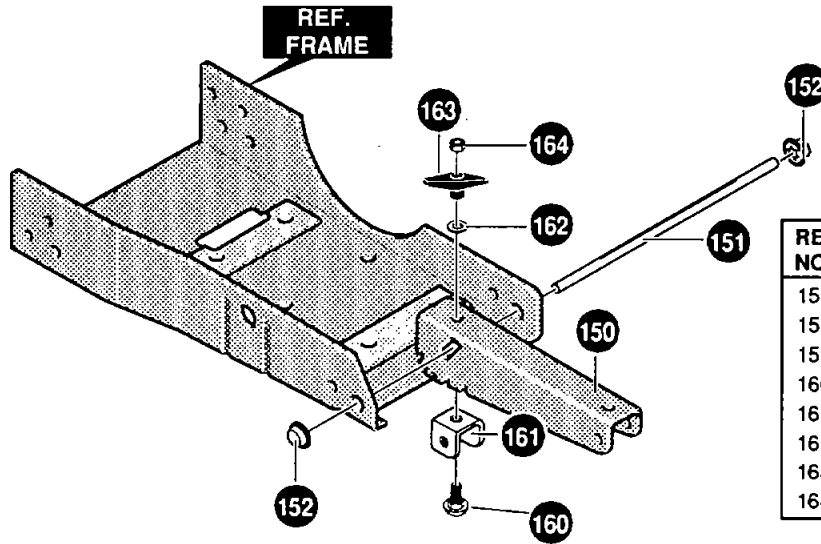


REF NO.	PART NO.	DESCRIPTION
10	ENGINE	3.5 HP TEC (See Engine Manual)
12	48148	SCREW, 3/8-16X1.00
20	314781	PULLEY, ENGINE
22	181608	SCREW, 5/16-24X1.00
24	120638	WASHER, HBSPTLK .328X.60X.09
26	45602	FLATWASHER .333X.87X.119
29	32668	BELT V4L 32.60LG
30	313011	SCREW AND WASHER ASSY.
32	51600	GUIDE, BELT
33	120393	FLATWASHER .344X.69X.065
40	53406-860	COVER ENGINE PULLEY
41	181624	SCREW, 5/16-24X3.00
42	120393	FLATWASHER .344X.69X.065
43	53407	SPACER, SLEV .335X.43X2.37
44	120393	FLATWASHER .344X.69X.065
80	52154-860	FRAME, EDGER
	336891	OWNER MANUAL(NOT SHOWN)

323245C

REPAIR PARTS MODEL F3009-090

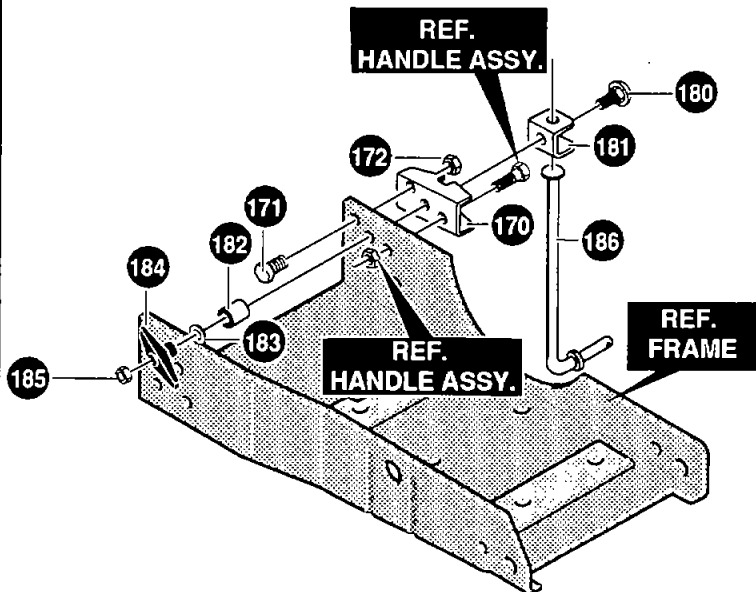
WHEEL BRACKET ASSEMBLY



REF. NO.	PART NO.	DESCRIPTION
150	51620-860	CHANNEL, FRONT WHEEL
151	51376	ROD, FRT MOUNT CURB HOPPER
152	51615	PUSHNUT, WASHER
160	120230	CARR. BOLT, 5/16-18X1.25
161	8082	CLEVIS
162	120393	FLATWASHER .344X.69X.065
163	13527	KNOB, T W/516/18 NUT
164	120376	NUT, 5/16-18 REGHEX

332094B

CURB HOPPER ASSEMBLY

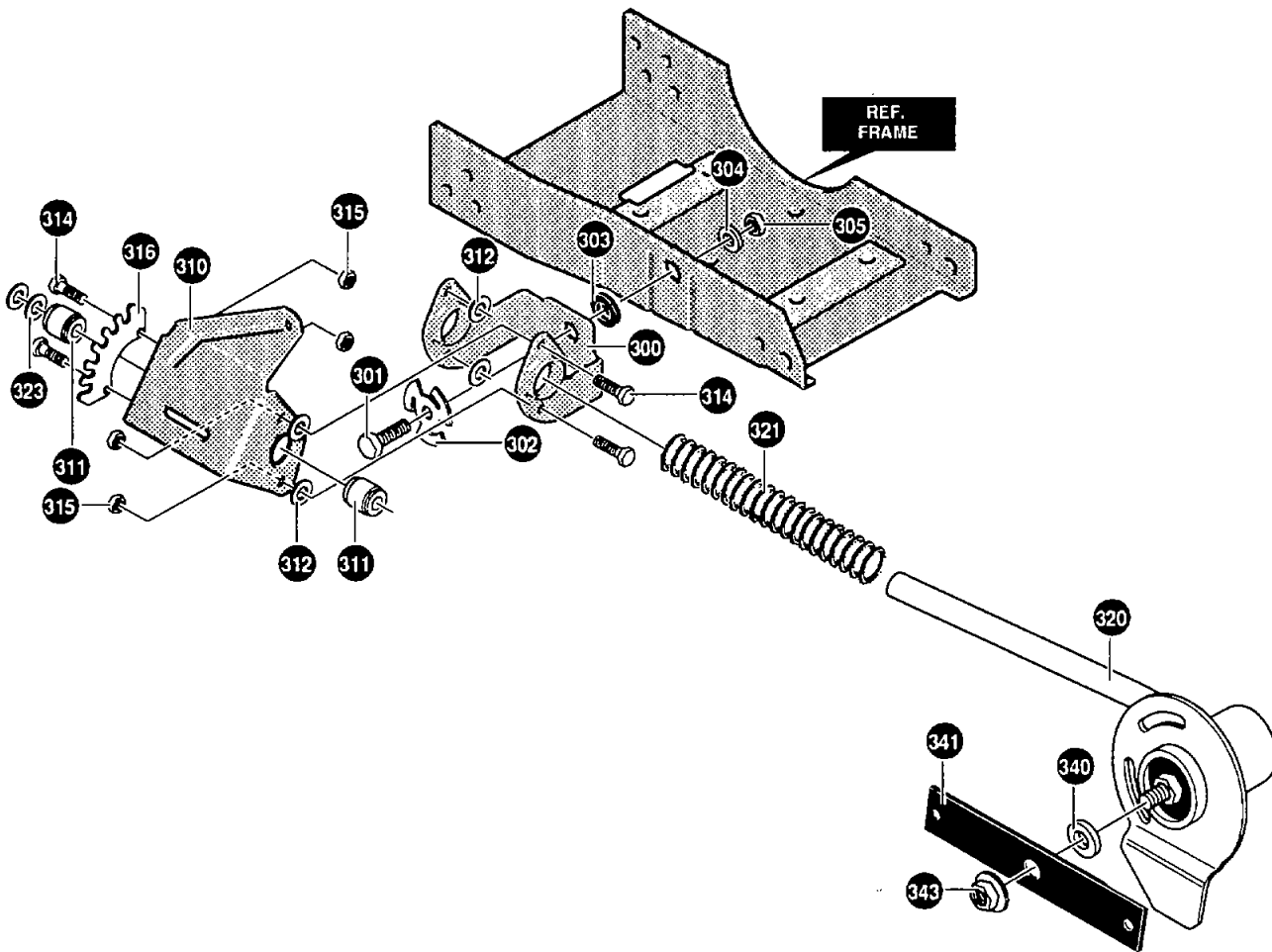


REF. NO.	PART NO.	DESCRIPTION
170	6842	BRKT, CURB HOP MNT
171	180077	SCREW, 5/16-18X .75
172	1498	NUT, 5/16-18REGHEXCTRLK
180	126380	BOLT, 5/16-18X2.00
181	8082	CLEVIS, BRZN953
182	45222	SPACER, SLEV .356X.63X1.01
183	120393	FLATWASHER .344X.69X.065
184	13527	KNOB, T W/516/18 NUT
185	120376	NUT, 5/16-18 REGHEX
186	310896	ROD, WHEEL SUPPORT

323416C

REPAIR PARTS MODEL F3009-090

BLADE COMPONENT ASSEMBLY

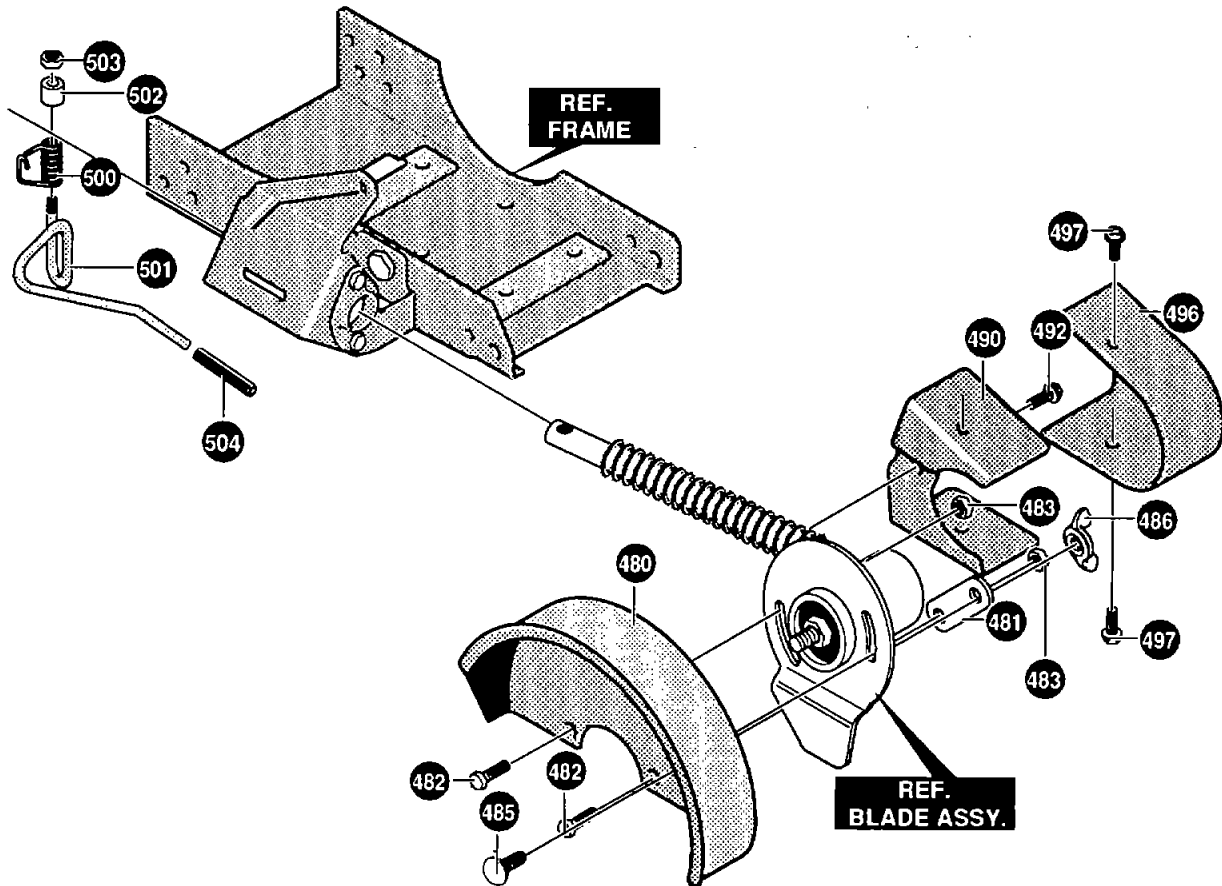


REF. NO.	PART NO.	DESCRIPTION
300	51629-860	SUPPORT ARM-INNER
301	51601	SHDR BOLT, .500X.453 3/8-16
302	20999	WASHER, SPRING
303	45405	SPACER, QUICK WHL PLAS
304	845	FLATWASHER .390X1.25X.119
305	1499	NUT, 3/8-16 REGHXCTRLK
310	51630-860	SUPPORT ARM-OUTER
311	51708	BRNG, SFAL . IDX . ODX .
312	120385	FLATWASHER .250X.56X.049
314	180020	SCREW, 1/4-20X .75 HHC
315	1502	NUT, 1/4-20 REGHEXCTRLK
316	6846	PLATE, INDEX
320	309722	QUILL, ASSY
321	51603	SPRING
323	40677	FLATWASHER .640X1.25X.06
340	22265	FLATWASHER .515X1.38X.119
341	20562-853	BLADE, EDGER 2PT
343	46023	NUT, 1/2-20 WDFL

323413D

REPAIR PARTS MODEL F3009-090

GUARD ASSEMBLY

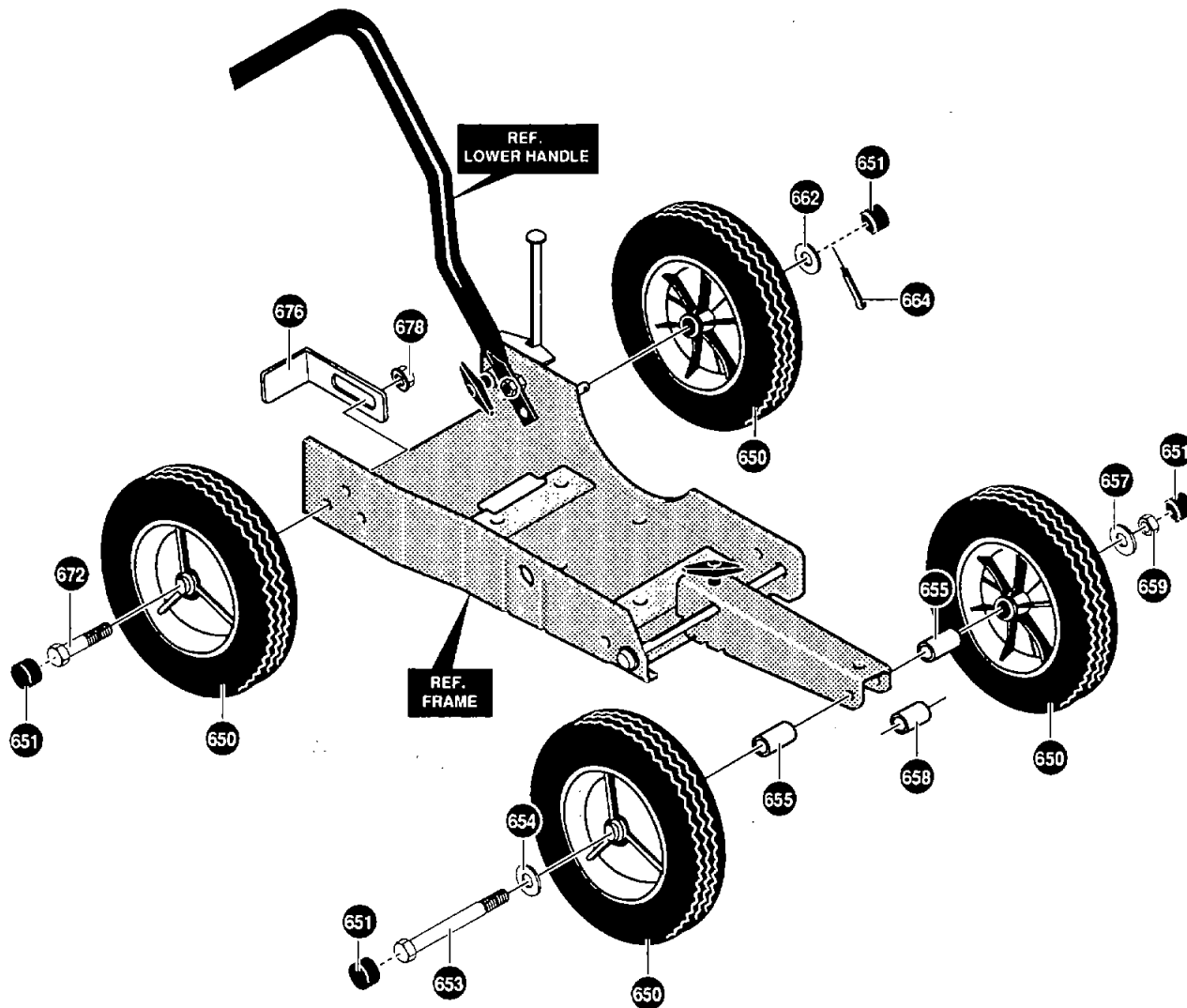


REF. NO.	PART NO.	DESCRIPTION
480	57024-860	GUARD, BLADE
481	6844	BAR, LOCKING
482	180077	SCREW, 5/16-18X .75 HHC
483	1498	NUT, 5/16-18 REGHEXCTRLK
485	57101	BOLT, 5/16-18X .75 CARR
486	997206	WING NUT
490	53915-860	GUIDE, BELT FRONT
492	995346	SCREW, 1/4-20X .50
496	53405-860	COVER QUILL PULLEY
497	302652	SCREW, 10-24X.38
500	51612	SPRING, INDEX
501	54787	LEVER, INDEX
502	51842	SPACER, SLEV .33 X .50X .25
503	1498	NUT, 5/16-18 REGHEXCTRLK
504	51598	GRIP, INDEX LEVER 5/16X2.00BLK

323288C

REPAIR PARTS MODEL F3009-090

TIRES W/SCRAPER ASSEMBLY

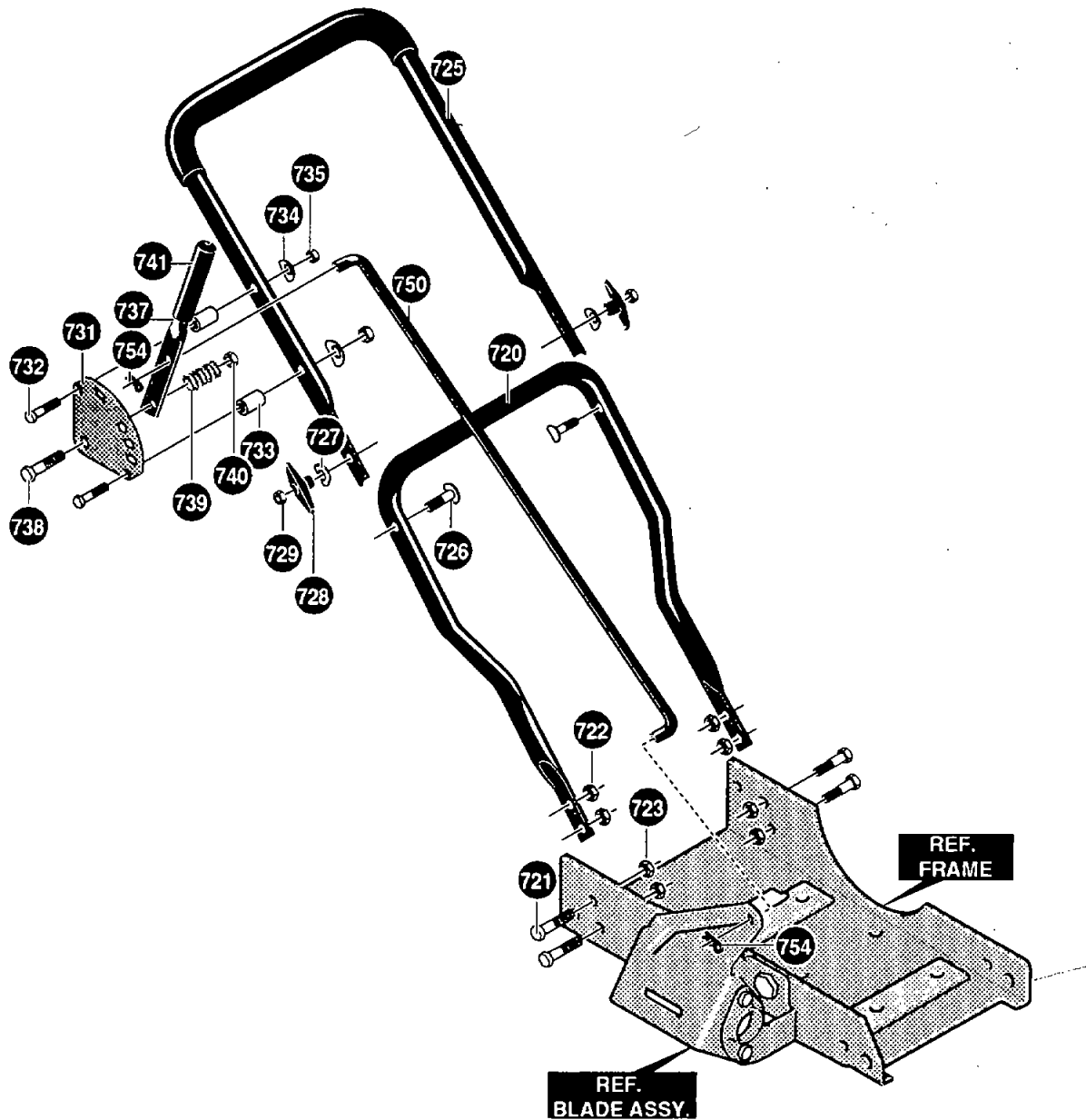


REF. NO.	PART NO.	DESCRIPTION
650	331579	TIRE & RIM, SEPU 8X1.75
651		NOT ON THIS UNIT
653	190628	SCREW, 5/16-18X4.50 HHC
654	120393	WASHER, FLAT .344X .69X.065
655	51887	SPACER, SLEV .328X .495X1.39
657	120393	WASHER, FLAT .344X .69X.065
658	51888	SPACER, SLEV .328X .495X1.05
659	1498	NUT, 5/16-18 REGHEXCTRLK
662	2968	WASHER, FLAT .504X .75X.059
664	121222	PIN, COTTER .090 DIA X .75LG
672	23763	BOLT, .500X1.390 HSH 3/8-16
676	9273	SCRAPER, WHEEL
678	45171	NUT, 3/8-16 HWDFL WHIZ-LOCK

328446D

REPAIR PARTS MODEL F3009-090

HANDLE ASSEMBLY



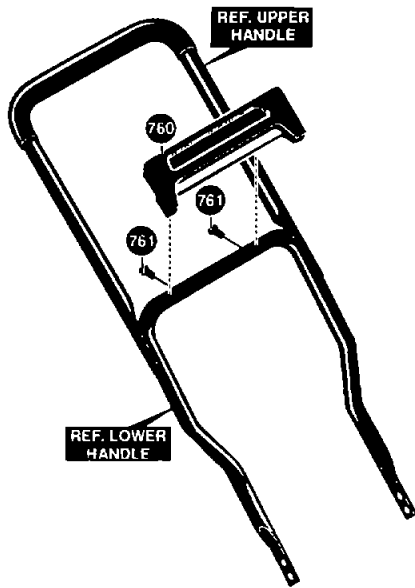
REF. NO.	PART NO.	DESCRIPTION
720	577179-853	HANDLE, LOWER 7/8
721	180079	SCREW, 5/16-18X1.00 HHC
722	45174	NUT, 5/16-18 HEXWDFLLK WHIZ
723	309936	NUT, 5/16-18 HXCTRLKJAM
725	577286	HDLE, UPR W/FOAM 7/8BLK/BLK
726	315288	BOLT, CUH 5/16-18 X1.75 IN.
727	8728	WASHER, .343IDX1.0X.062 FORM
728	13527	KNOB, T 2BLADE W/5/16/18 NUT
729	120376	NUT, 5/16-18 REGHEX
731	57020-853	PLATE, QUADRANT SHIFT/ENGAG
732	180044	SCREW, 1/4-20X2.00 HHC

REF. NO.	PART NO.	DESCRIPTION
733	56293	SPACER, SLEV .281X .50X .68
734	8728	WASHER, .343IDX1.0X.062 FORM
735	1502	NUT, 1/4-20 REGHEXCTRLK
737	305272-853	HANDLE, DEPTH ADJUST
738	180081	SCREW, 5/16-18X1.25 HHC
739	25644	SPRING
740	1498	NUT, 5/16-18 REGHEXCTRLK
741	20250	GRIP, HAND .75X4.87 BLACK
750	57021	ROD, DEPTH CONTROL 30.0 LG
754	36368	HAIR PIN, .072DIA X1.13LG

326655B

REPAIR PARTS MODEL F3009-090

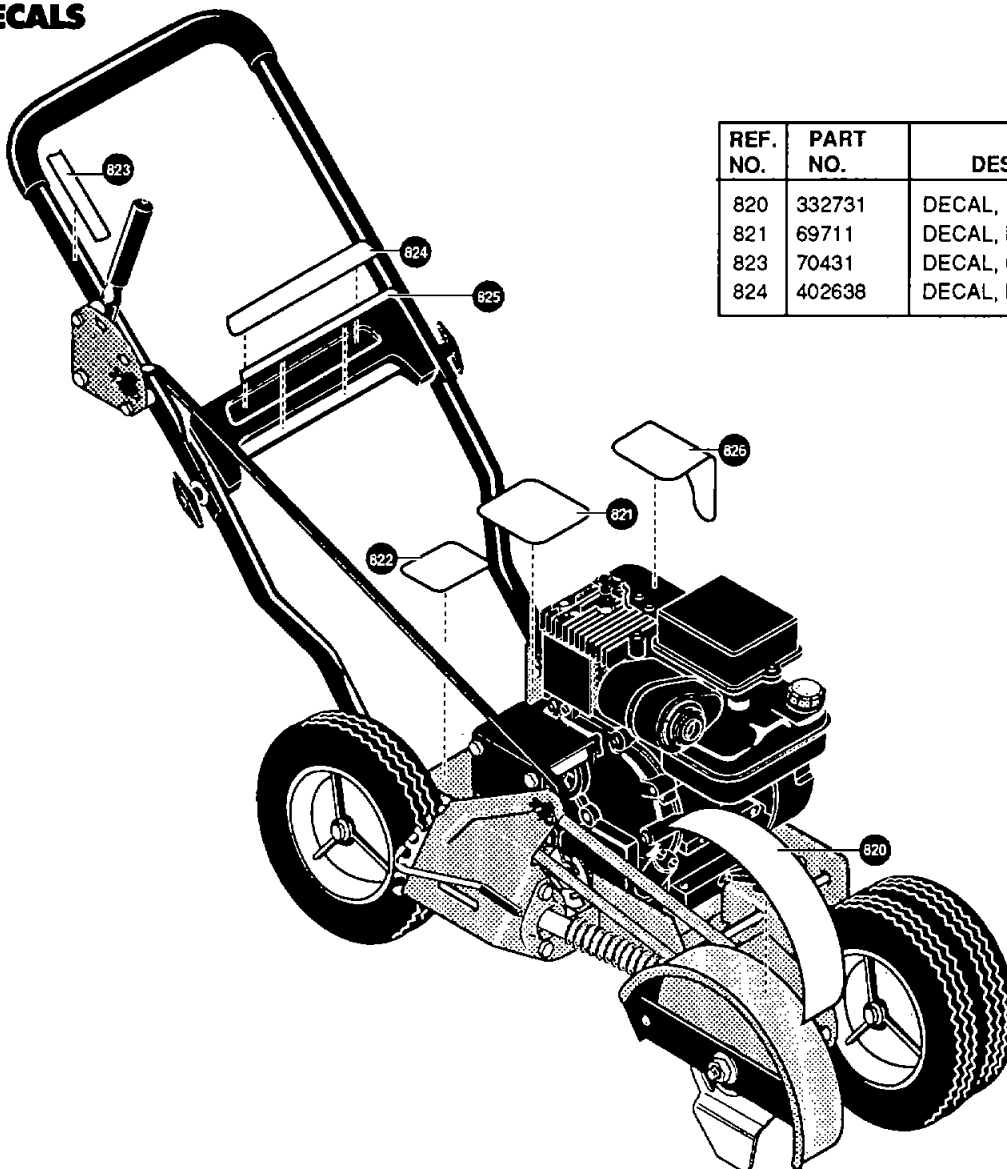
HANDLE SHROUD ASSEMBLY



REF. NO.	PART NO.	DESCRIPTION
760	54891	SHROUD, HANDLE PLAS
761	426221	SCREW, 10-16X .75 SLHTAP

328475C

DECALS



REF. NO.	PART NO.	DESCRIPTION
820	332731	DECAL, BLADE GUARD
821	69711	DECAL, INFORMATION !DANGER!
823	70431	DECAL, CLUTCH
824	402638	DECAL, EAGLESTAR SMALL

323414D