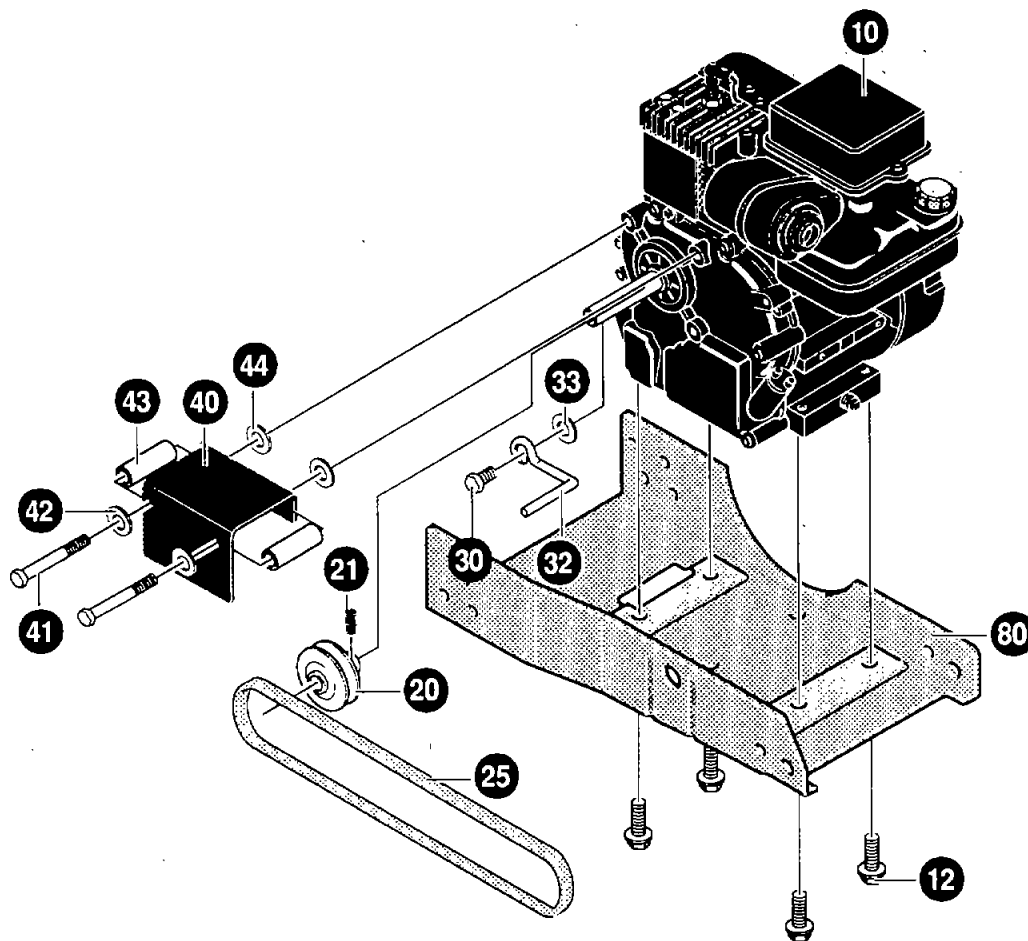


REPAIR PARTS MODEL ET35

ENGINE ASSEMBLY

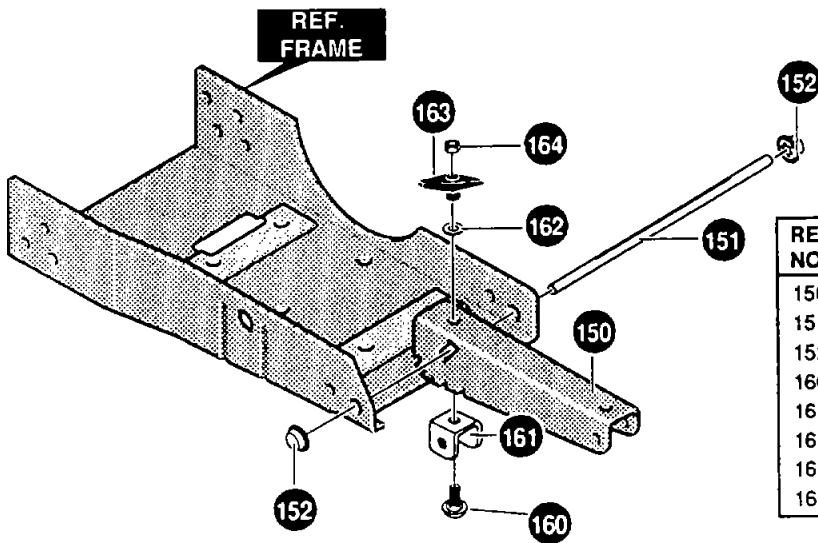


| REF NO. | PART NO. | DESCRIPTION |
|---------|-----------|--------------------------------|
| 10 | ENGINE | 3.5 HP B&S (See Engine Manual) |
| 12 | 48148 | SCREW, 3/8-16X1.00 |
| 20 | 32689 | PULLEY, ENGINE |
| 22 | 102580 | SCREW, 5/16-18X.25 |
| 25 | 32668 | BELT, V 4L 32.60LG |
| 30 | 313011 | SCREW AND WASHER ASSY. |
| 32 | 51600 | GUIDE, BELT |
| 33 | 120393 | FLATWASHER .344X.69X.065 |
| 40 | 53406-824 | COVER ENGINE PULLEY |
| 41 | 181624 | SCREW, 5/16-24X3.00 |
| 42 | 120393 | FLATWASHER .344X.69X.065 |
| 43 | 53407 | SPACER, SLEV .335X.43X2.37 |
| 44 | 120393 | FLATWASHER .344X.69X.065 |
| 80 | 52154-824 | FRAME, EDGER |
| | 335828 | OWNER MANUAL(NOT SHOWN) |

324722B

REPAIR PARTS MODEL ET35

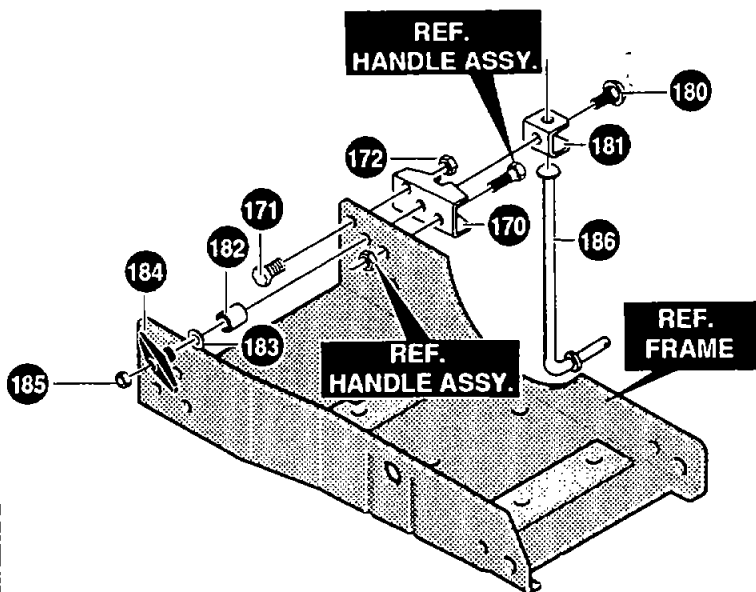
WHEEL BRACKET ASSEMBLY



| REF. NO. | PART NO. | DESCRIPTION |
|----------|-----------|----------------------------|
| 150 | 51620-824 | CHANNEL, FRONT WHEEL |
| 151 | 51376 | ROD, FRT MOUNT CURB HOPPER |
| 152 | 51615 | PUSHNUT, WASHER |
| 160 | 120230 | CARR. BOLT, 5/16-18X1.25 |
| 161 | 8082 | CLEVIS |
| 162 | 120393 | FLATWASHER .344X.69X.065 |
| 163 | 13527 | KNOB, T W/516/18 NUT |
| 164 | 120376 | NUT, 5/16-18 REGHEX |

332094B

CURB HOPPER ASSEMBLY

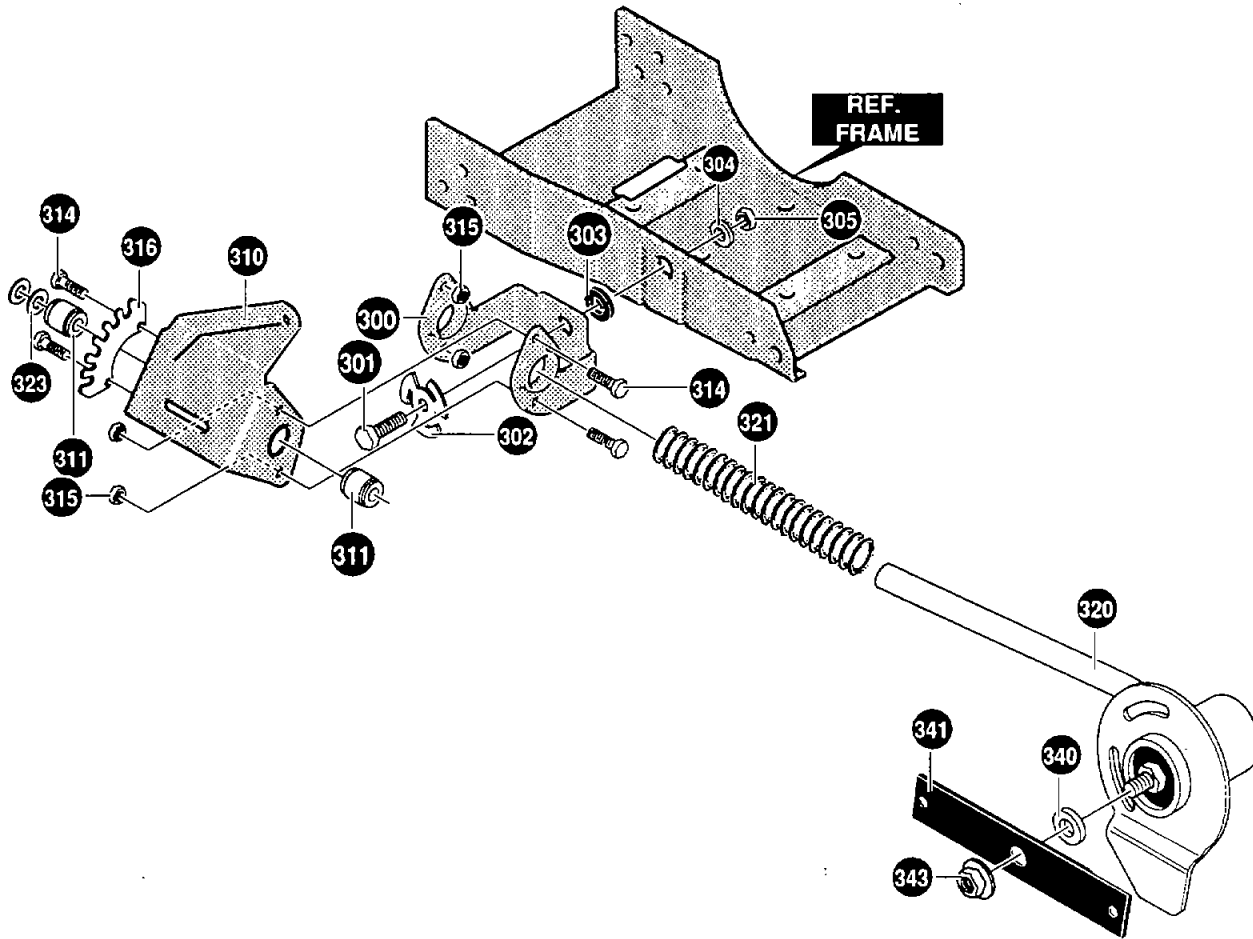


| REF. NO. | PART NO. | DESCRIPTION |
|----------|----------|----------------------------|
| 170 | 6842 | BRKT, CURB HOP MNT |
| 171 | 180077 | SCREW, 5/16-18X .75 |
| 172 | 1498 | NUT, 5/16-18REGHEXCTRLK |
| 180 | 126380 | BOLT, 5/16-18X2.00 |
| 181 | 8082 | CLEVIS, BRZN953 |
| 182 | 45222 | SPACER, SLEV .356X.63X1.01 |
| 183 | 120393 | FLATWASHER .344X.69X.065 |
| 184 | 13527 | KNOB, T W/516/18 NUT |
| 185 | 120376 | NUT, 5/16-18 REGHEX |
| 186 | 310896 | ROD, WHEEL SUPPORT |

323416C

REPAIR PARTS MODEL ET35

BLADE COMPONENT ASSEMBLY

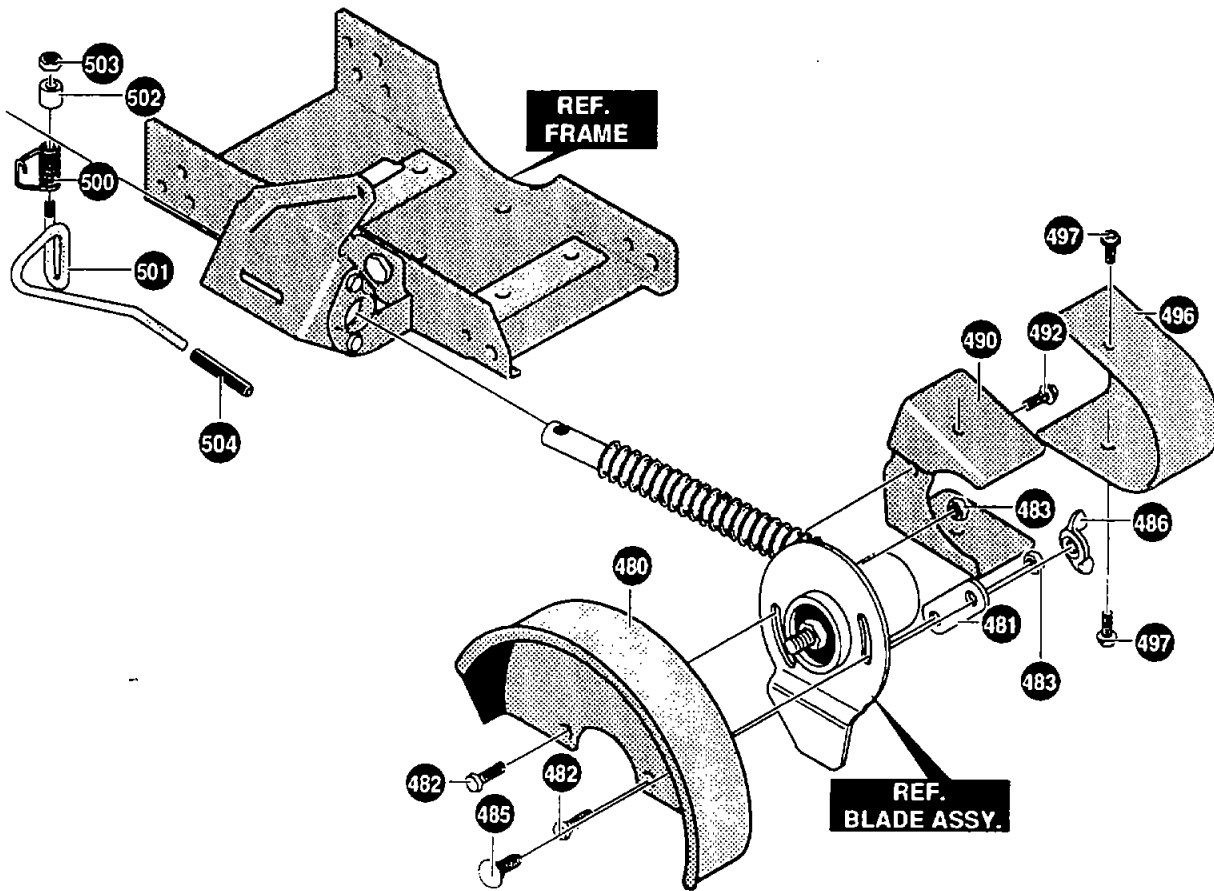


| REF. NO. | PART NO. | DESCRIPTION |
|----------|-----------|------------------------------|
| 300 | 51629-824 | SUPPORT ARM-INNER |
| 301 | 51601 | SHDER BOLT, .500X.453 3/8-16 |
| 302 | 20999 | WASHER, SPRING |
| 303 | 45405 | SPACER, QUICK WHL PLAS |
| 304 | 845 | FLATWASHER .390X1.25X.119 |
| 305 | 1499 | NUT, 3/8-16 REGHXCTRLK |
| 310 | 51630-824 | SUPPORT ARM-OUTER |
| 311 | 51708 | BRNG, SFAL . IDX . ODX . |
| 314 | 180020 | SCREW, 1/4-20X .75 HHC |
| 315 | 1502 | NUT, 1/4-20 REGHEXCTRLK |
| 316 | 6846 | PLATE, INDEX |
| 320 | 309722 | QUILL, ASSY |
| 321 | 51603 | SPRING |
| 323 | 40677 | FLATWASHER .640X1.25X.06 |
| 340 | 22265 | FLATWASHER .515X1.38X.119 |
| 341 | 20562-853 | BLADE, EDGER 2PT |
| 343 | 46023 | NUT, 1/2-20 WDFL |

323413C

REPAIR PARTS MODEL ET35

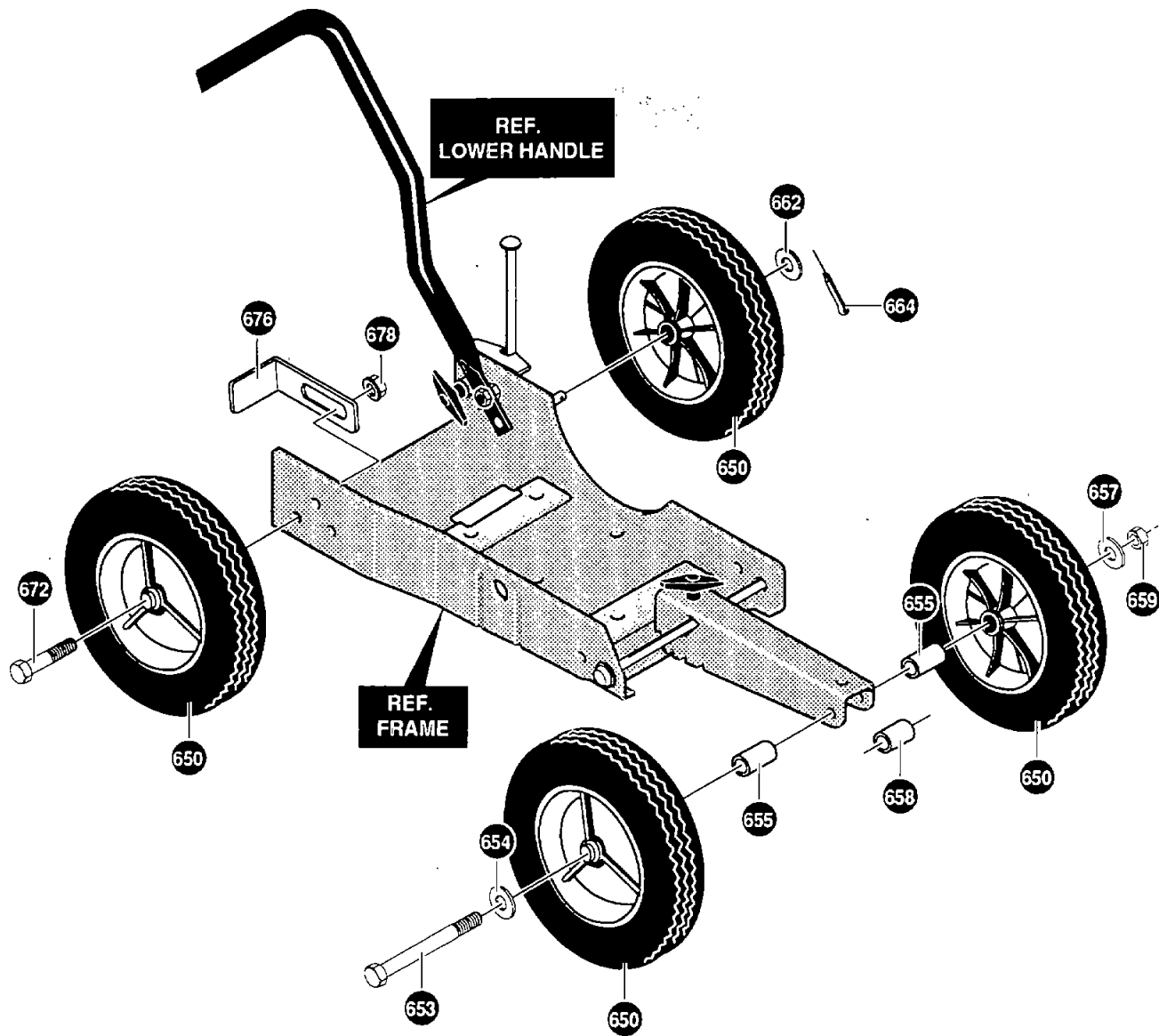
GUARD ASSEMBLY



| REF. NO. | PART NO. | DESCRIPTION |
|----------|-----------|-----------------------------------|
| 480 | 57024-824 | GUARD, BLADE |
| 481 | 6844 | BAR, LOCKING |
| 482 | 180077 | SCREW, 5/16-18X .75 HHC |
| 483 | 1498 | NUT, 5/16-18 REGHEXCTRLK |
| 485 | 57101 | BOLT, 5/16-18X .75 CARR |
| 486 | 997206 | WING NUT |
| 490 | 53915-824 | GUIDE, BELT FRONT |
| 492 | 995346 | SCREW, 1/4-20X .50 |
| 496 | 53405-824 | COVER QUILL PULLEY |
| 497 | 302652 | SCREW, 10-24X.38 |
| 500 | 51612 | SPRING, INDEX |
| 501 | 54787 | LEVER, INDEX |
| 502 | 51842 | SPACER, SLEV .33 X .50X .25 |
| 503 | 1498 | NUT, 5/16-18 REGHEXCTRLK |
| 504 | 51598 | GRIP, INDEX LEVER 5/16X2.00BLK |

REPAIR PARTS MODEL ET35

TIRES W/SCRAPER ASSEMBLY

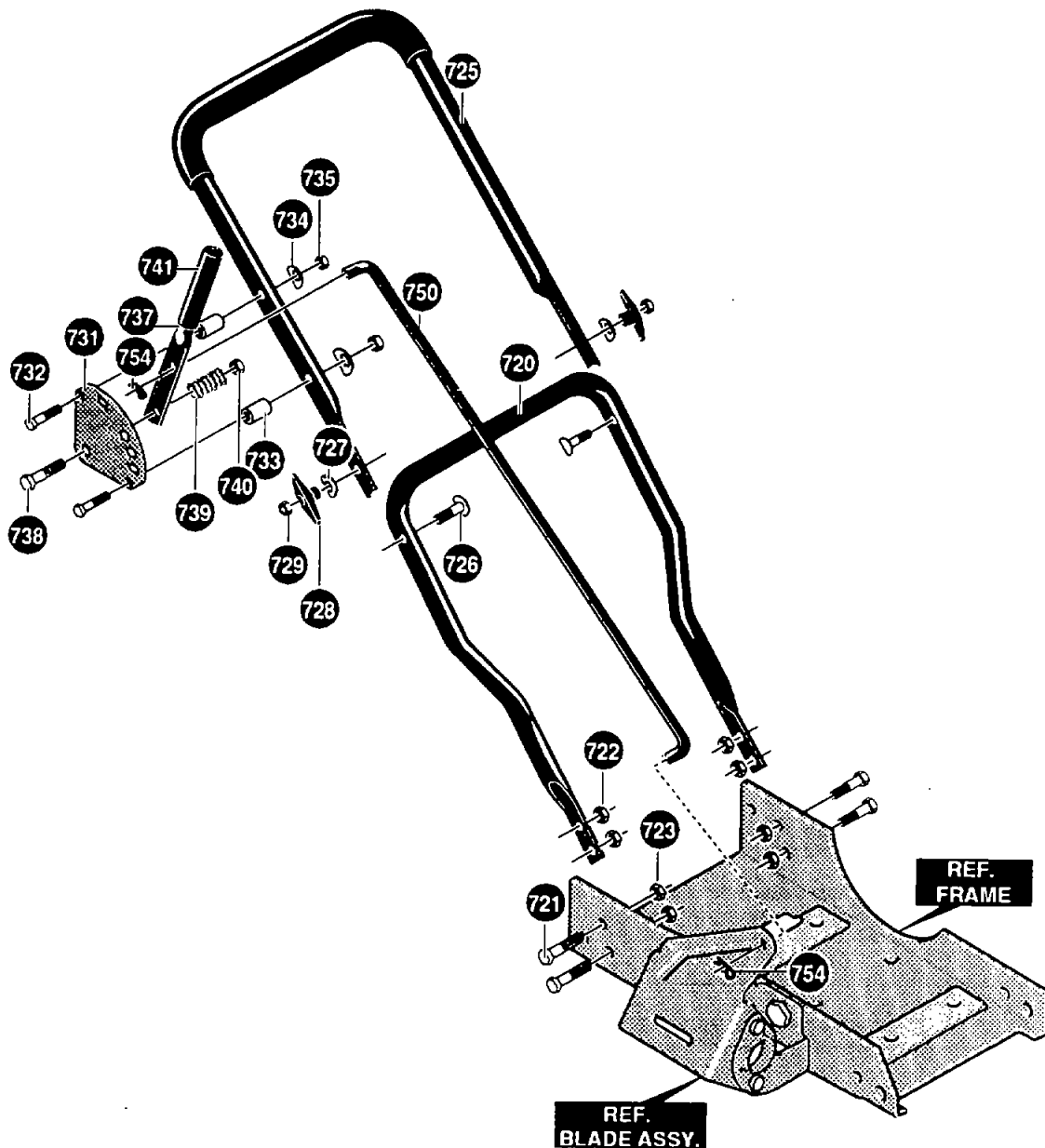


| REF. NO. | PART NO. | DESCRIPTION |
|----------|----------|------------------------------|
| 650 | 335391 | TIRE & RIM, SEPU 8X1.75 |
| 653 | 190628 | SCREW, 5/16-18X4.50 HHC |
| 654 | 120393 | WASHER, FLAT .344X .69X.065 |
| 655 | 51887 | SPACER, SLEV .328X .495X1.39 |
| 657 | 120393 | WASHER, FLAT .344X .69X.065 |
| 658 | 51888 | SPACER, SLEV .328X .495X1.05 |
| 659 | 1498 | NUT, 5/16-18 REGHEXCTRLK |
| 662 | 2968 | WASHER, FLAT .504X .75X.059 |
| 664 | 121222 | PIN, COTTER .090 DIA X .75LG |
| 672 | 23763 | BOLT, .500X1.390 HSSH 3/8-16 |
| 676 | 9273 | SCRAPER, WHEEL |
| 678 | 45171 | NUT, 3/8-16 HWDFL WHIZ-LOCK |

328446D

REPAIR PARTS MODEL ET35

HANDLE ASSEMBLY



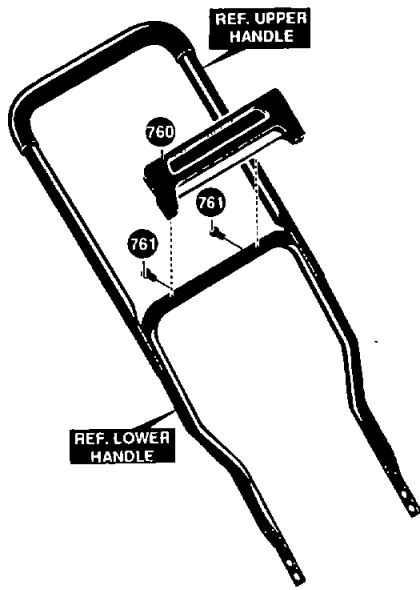
| REF. NO. | PART NO. | DESCRIPTION |
|----------|------------|------------------------------|
| 720 | 577179-853 | HANDLE, LOWER 7/8 |
| 721 | 180079 | SCREW, 5/16-18X1.00 HHC |
| 722 | 45174 | NUT, 5/16-18 HEXWDFLLK WHIZ |
| 723 | 309936 | NUT, 5/16-18 HXCTRLKJAM |
| 725 | 577286 | HDLE, UPR W/FOAM 7/8BLK/BLK |
| 726 | 315288 | BOLT, CUH 5/16-18 X1.75 IN. |
| 727 | 8728 | WASHER, .343IDX1.0X.062 FORM |
| 728 | 13527 | KNOB, T 2BLADE W/516/18 NUT |
| 729 | 120376 | NUT, 5/16-18 REGHEX |
| 731 | 57020-853 | PLATE, QUADRANT SHIFT/ENGAG |
| 732 | 180044 | SCREW, 1/4-20X2.00 HHC |

| REF. NO. | PART NO. | DESCRIPTION |
|----------|------------|------------------------------|
| 733 | 56293 | SPACER, SLEV .281X .50X .68 |
| 734 | 8728 | WASHER, .343IDX1.0X.062 FORM |
| 735 | 1502 | NUT, 1/4-20 REGHEXCTRLK |
| 737 | 305272-853 | HANDLE, DEPTH ADJUST |
| 738 | 180081 | SCREW, 5/16-18X1.25 HHC |
| 739 | 25644 | SPRING |
| 740 | 1498 | NUT, 5/16-18 REGHEXCTRLK |
| 741 | 20250 | GRIP, HAND .75X4.87 BLACK |
| 750 | 57021 | ROD, DEPTH CONTROL 30.0 LG |
| 754 | 36368 | HAIR PIN, .072DIA X1.13LG |

326655B

REPAIR PARTS MODEL ET35

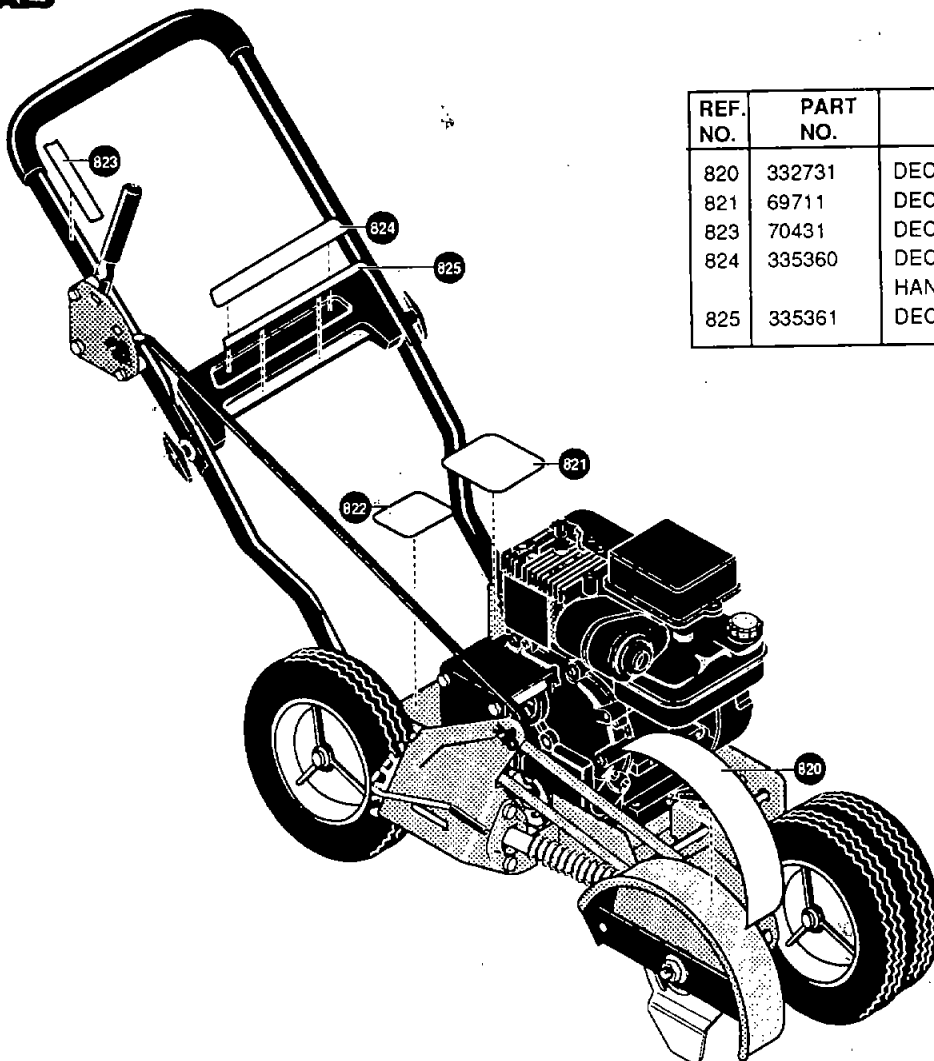
HANDLE SHROUD ASSEMBLY



| REF. NO. | PART NO. | DESCRIPTION |
|----------|----------|--------------------------|
| 760 | 54891 | SHROUD, HANDLE PLAS |
| 761 | 426221 | SCREW, 10-16X .75 SLHTAP |

328475C

DECALS



| REF. NO. | PART NO. | DESCRIPTION |
|----------|----------|---------------------------------------|
| 820 | 332731 | DECAL, BLADE GUARD |
| 821 | 69711 | DECAL, INFORMATION 'DANGER!' |
| 823 | 70431 | DECAL, CLUTCH |
| 824 | 335360 | DECAL, KGRO POWER PRO HANDLE PANEL |
| 825 | 335361 | DECAL, 3.5HP BRIGGS & STRATTON |

323414C