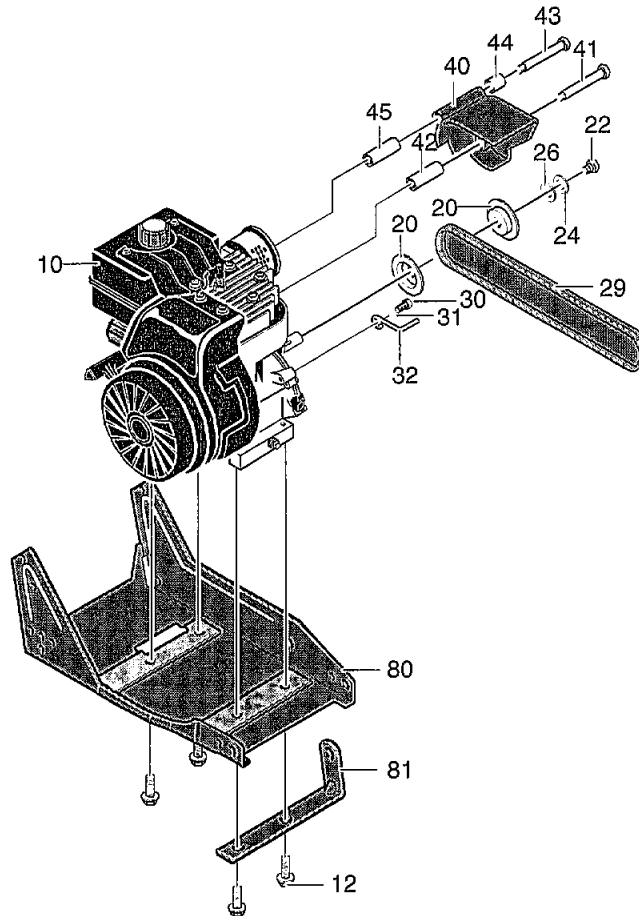
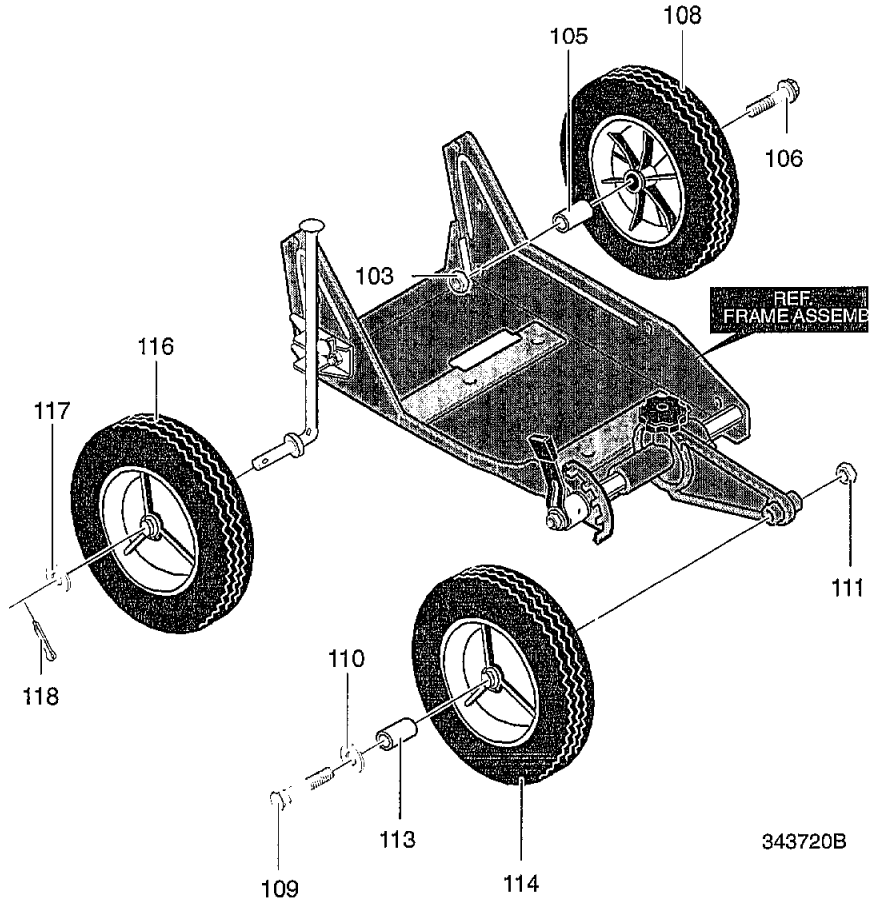


MODEL EH3550x4A



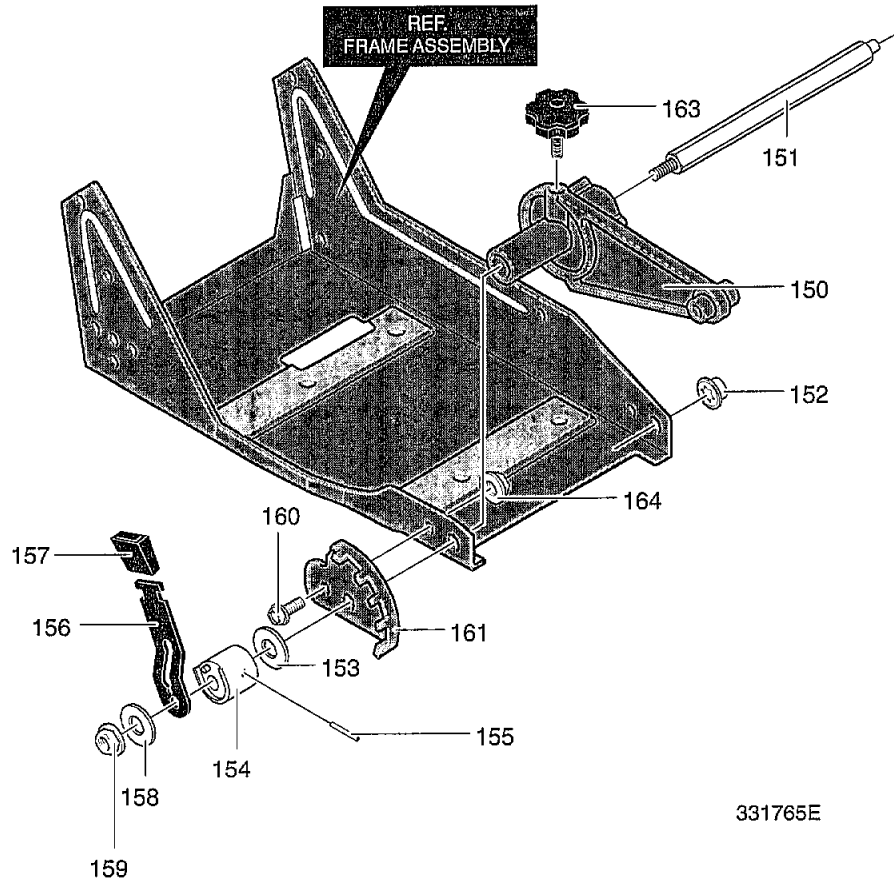
10	Engine	3.5HP	40	Cover, Engine Pulley	331281-860
12	Screw, 3/8-16x1.00	47792	41	Screw, 5/16-24x3.00	181624
20	Pulley, Half	314781	42	Spacer, Sleeve	315095
22	Screw, 5/16-24x1.00	181608	43	Screw, 5/16-24x3.75	173030
24	Washer, Hvsptlk	120638	44	Spacer	308237
26	Flatwasher	45602	45	Spacer, Sleeve	315095
29	Belt, V4L 32.60LG	32668	80	Frame, Assy. Edger	323534-860
30	Screw 5/16-24x1.00	578733	81	Strap	308154-860
31	Flat washer	45602	--	Instruction Manual	F-001100M
32	Guide, Belt	51600			

MODEL EH3550x4A



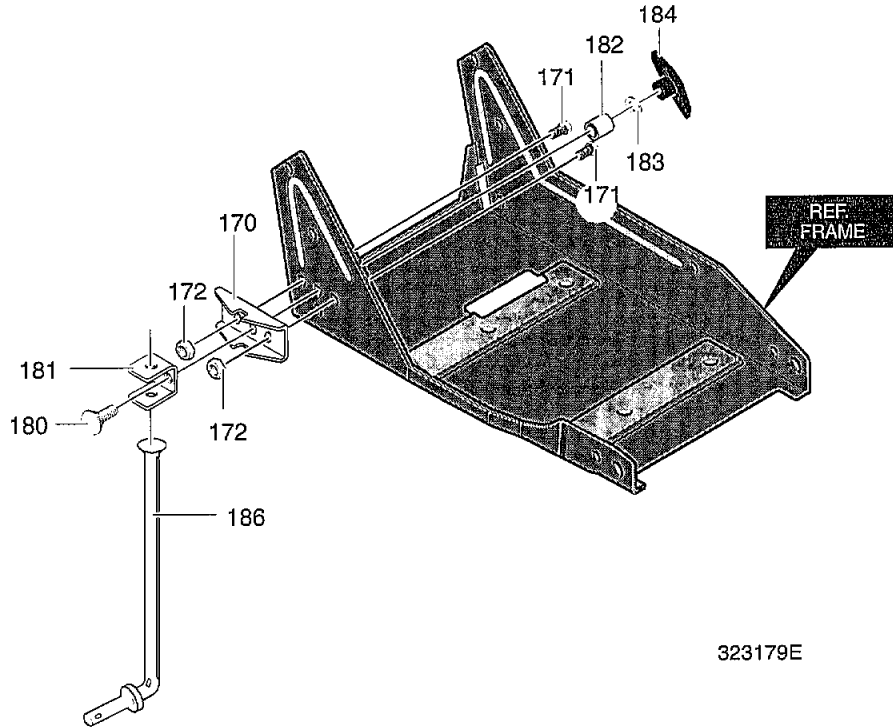
103	Nut, 3/8-16 Reghexctrk	1498	113	Spacer, Sleeve	51887
105	Spacer, Sleeve	310715	114	Tire & Rim	336546
106	Bolt, HSSH 3/8	310716	116	Tire & Rim	336545
108	Tire & Rim	336545	117	Flatwasher	712125
109	Screw, 5/16-18x3.00	180113	118	Cotter Pin	121222
110	Flatwasher	120393	--	Book, Instruction	F-001100M
111	Nut, 5/16-18 Wdfllk	710205			

MODEL EH3550x4A



150	Front Wheel Arm	339299-860	157	Knob, Rectangle	20252
151	Front Curb Hopper	740132	158	Flatwasher	22265
152	Pushnut, Washer	338614	159	Nut	45905
153	Plastic Washer	325892	160	Screw, 5/16-18x.63	51333
154	Spacer, Height Adjust	331421	161	Plate, Height Adjust	331394-860
155	Pin, Spring	332002	163	Knob, Molded	339388
156	Lever, Height Adjust	331419	164	Nut, 5/16-18	710205

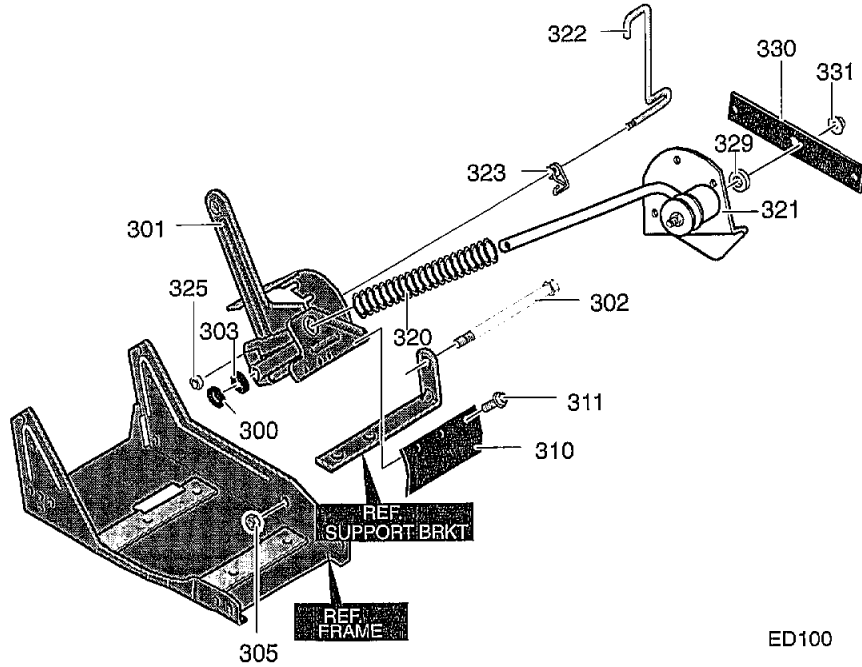
MODEL EH3550x4A



323179E

170	Bracket, Curb Hop Mnt	6842	182	Spacer, Sleeve	45222
171	Screw, 5/16-18x.75	180077	183	Flatwasher	120393
172	Nut, 5/16-18	1498	184	Knob, Wing 5/16-18	671294
180	Bolt, 5/16-18x2.00	126380	186	Rod, Wheel Support	310896
181	Clevis	8082			

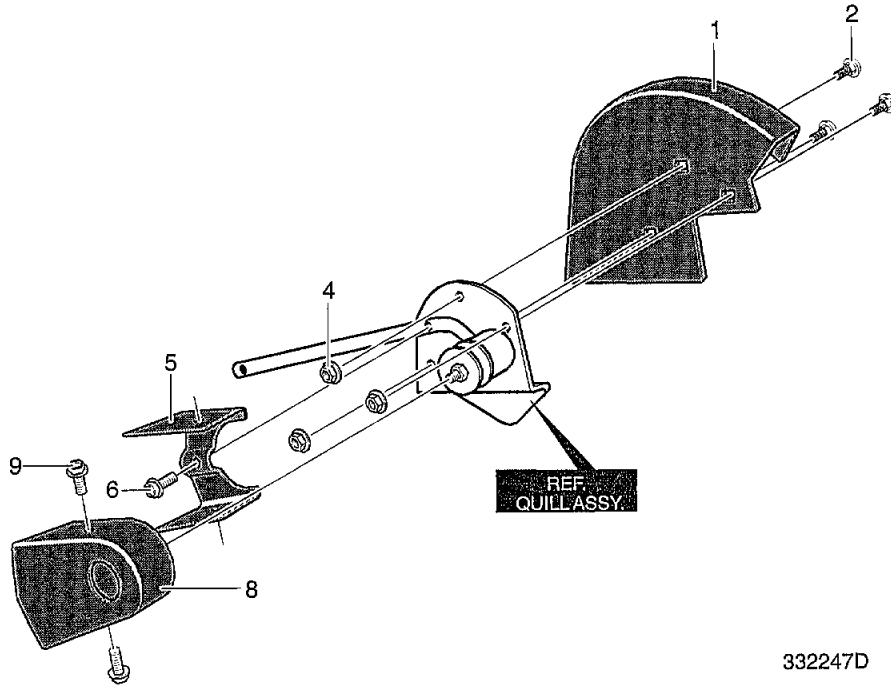
MODEL EH3550x4A



ED100

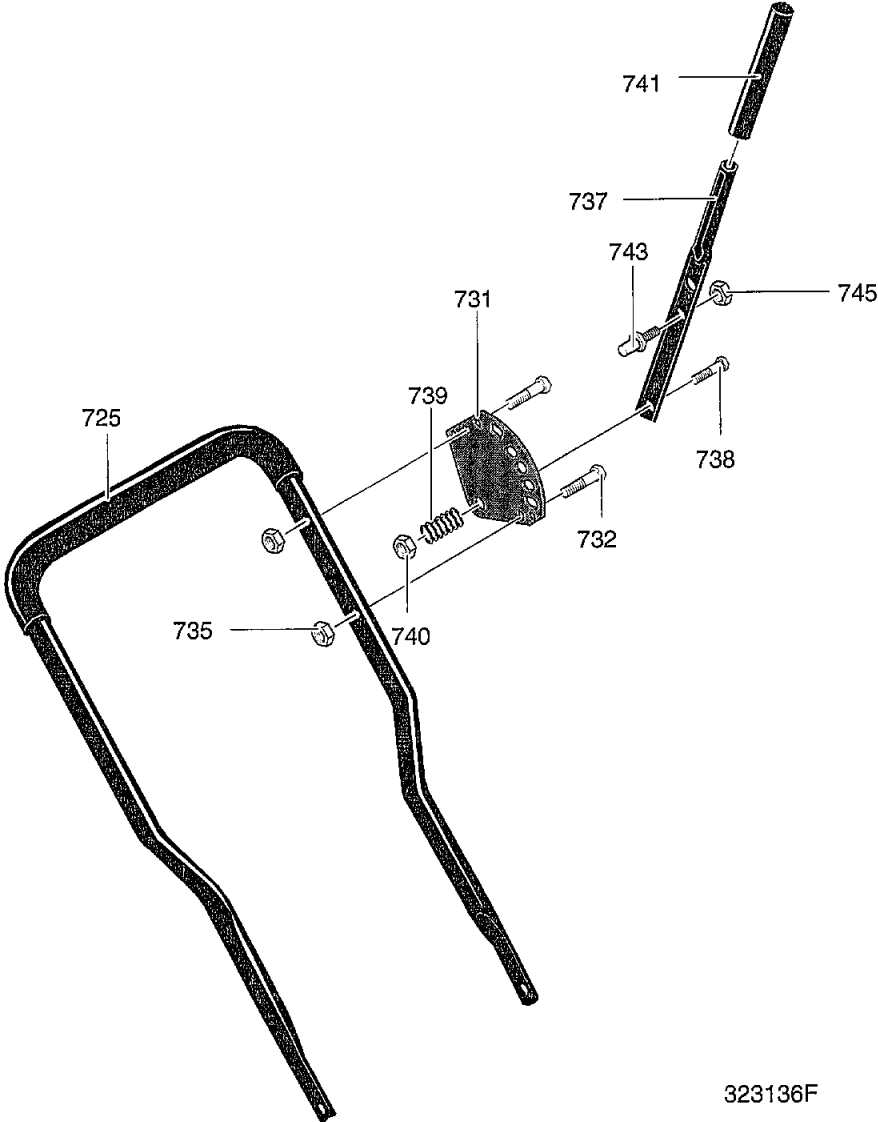
300	Flatwasher	120396	321	Quill Assembly	338070
301	Quill Support	338656-860	322	Lever, Index	308466
302	Bolt, 3/8-16 HSSH	308254	323	Spring, Torsion	308155
303	Flatwasher	710083	325	Nut, 5/16-18	1498
305	Nut, 3/8-16	1499	329	Flatwasher	22265
310	Rubber Deflector	308243	330	Blade, Edger	740297
311	Screw, 10-16x1.50	710271	331	Nut, 1/2-20 Wdfi	46023
320	Spring	51603			

MODEL EH3550x4A



1	Blade Guard	331076-860
2	Bolt, 5/16-18x.63 Carr.	57072
4	Nut, 5/16-18 Wdfilk Whiz	710205
5	Guide, Belt Front	326748-860
6	Screw, 1/4-20x.50	710264
8	Cover, Quill Pulley	53405-860
9	Screw, 10-16x.50	710271
	Decal, Blade Cover	333874

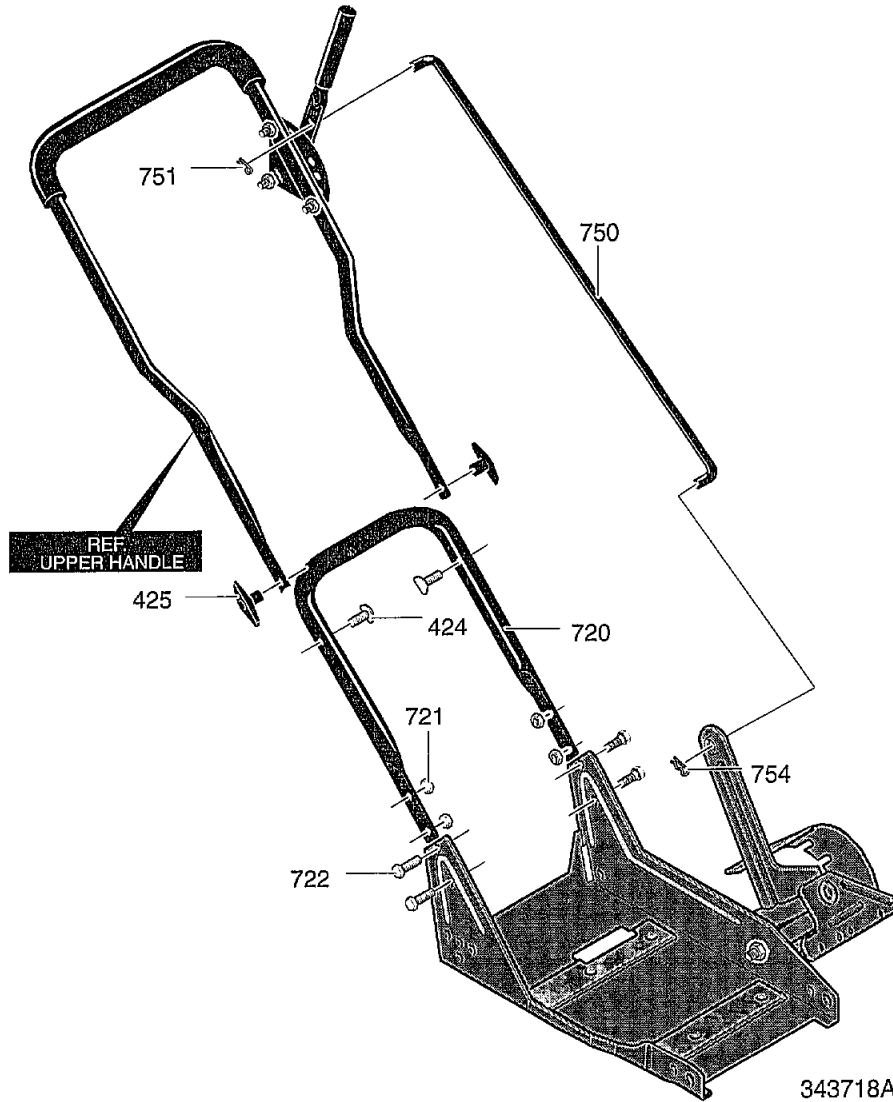
MODEL EH3550x4A



323136F

725	Upper Handle	740129-853	739	Spring, Compression	25644
731	Selector Plate	310052-853	740	Nut, 5/16-18	1498
732	Screw, 1/4-20x1.25	180024	741	Grip, Hand	56924
735	Nut, 1/4-20	782585	743	Stud	310053
737	Depth Adjust Handle	310050-853	745	Nut, 3/8-16	1499
738	Screw, 5/16-18x1.25	180081			

MODEL EH3550x4A



424	Bolt, 5/16-18x1.75	315288	722	Screw, 5/16-18x.63	51333
425	Knob, Wing 5/16-18	671294	750	Control Rod	580292-853
720	Lower Handle	740127-853	751	Hair Pin	36368
721	Nut, 5/16-18	1498	754	Hair Pin	36368