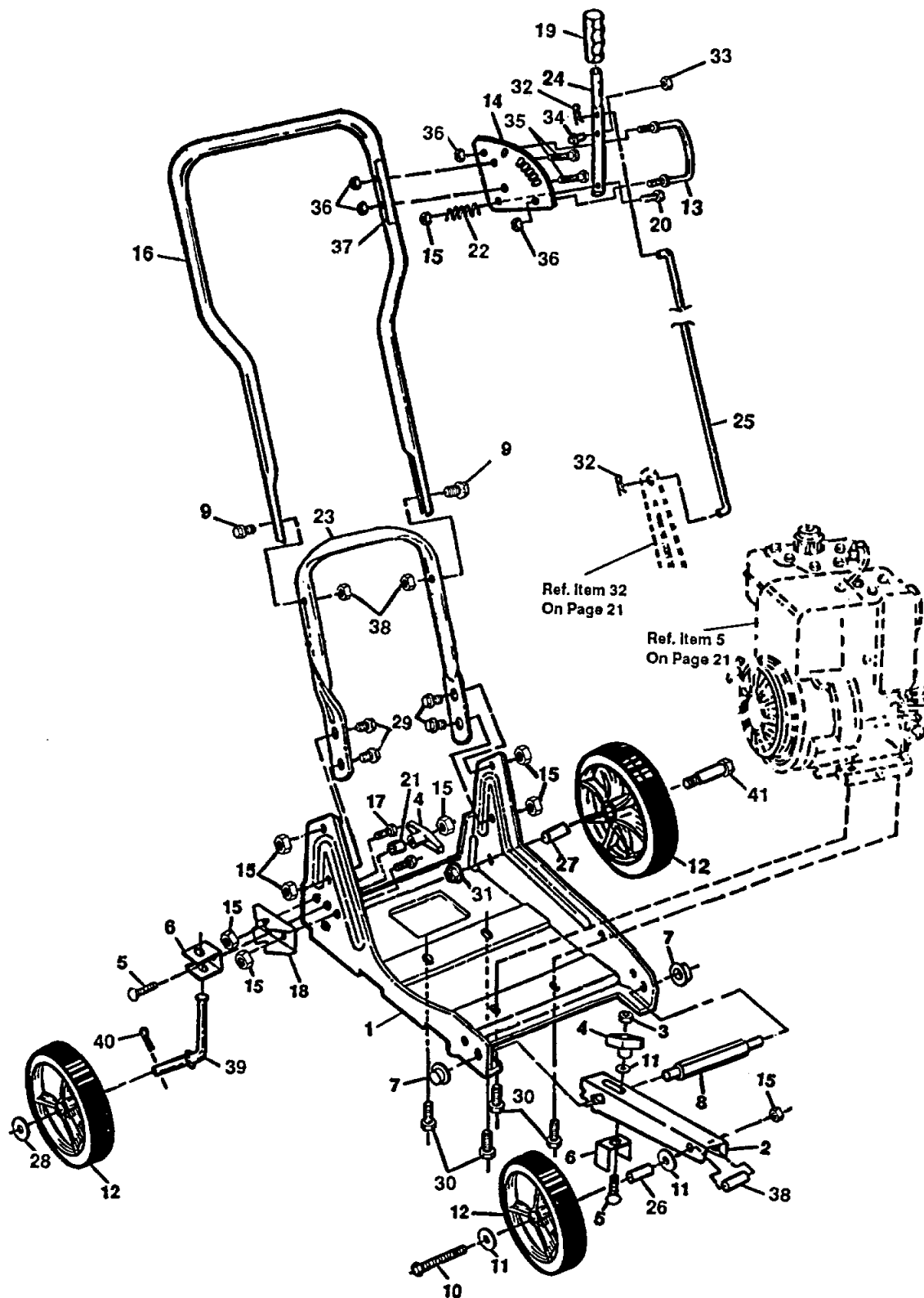


**CRAFTSMAN 9" - 3.0 H.P. EDGER/TRIMMER 536.797560**



**NOTE: ALWAYS USE ORIGINAL EQUIPMENT PARTS** Use of service/replacement parts other than original parts may void your warranty.

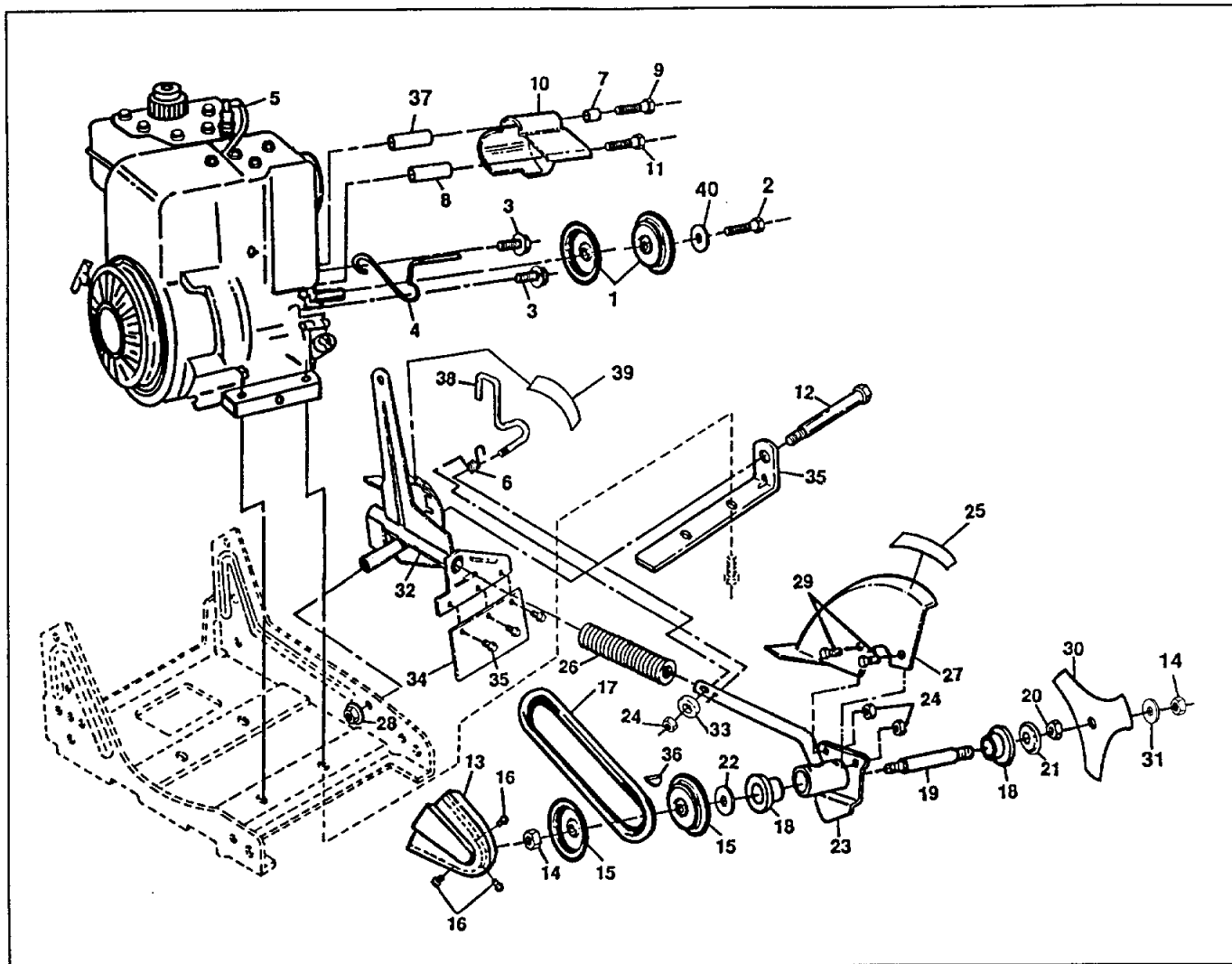
**ALL UNNUMBERED ITEMS ARE INTERCHANGEABLE WITH OPPOSITE SIDE**

# CRAFTSMAN 9" - 3.0 H.P. EDGER/TRIMMER 536.797560

REF. NO.	PART NO.	PART NAME	REF. NO.	PART NO.	PART NAME
1	313248	Edger Frame	31	45171	Nut, Hx Wd Fl Lock 3/8-16 Thd.
2	6852	Arm, Wheel Support	32	36368	Hairpin
3	120376	* Nut, 5/16-18 Reg Hex	33	9413534	* Nut, Hex 3/8-16 Thd.
4	57171	Plastic T-Knob	34	310053	Stud
5	120230	* Carriage Bolt, 5/16-18 x 1-1/4 In	35	121926	Screw, 1/4-20 x 1-1/2 In.
6	8082	Clevis	36	9424215	* Nut, Lock 1/4-20 Thd.
7	51615	* Pushnut Washer	37	312548	Decal Height Adjust
8	51376	Pivot Rod	38	51888	Spacer
9	122027	Screw, 5/16-18 x 1-1/4 In.	39	310896	Wheel Support Rod
10	173063	* Screw, HHC 5/16-18 x 3-1/2 In.	40	12122	Cotter Pin
11	120393	* Flatwasher	41	310716	Shoulder Bolt
12	315197	Wheel and Tire Assembly	42	314854	Owner's Manual (Not Illustrated)
13	311670	Lever Strap			
14	310054	Quadrant			
15	9413447	Nut, 5/16-18 Hex Locknut			
16	310147	Upper Handle			
17	122007	* Screw, HHC 5/16-18 x 3/4 In.			
18	6842	Bracket			
19	56924	Grip, Hand Depth Adjust			
20	122017	* Screw, 5/18-18 x 1 In.			
21	51842	Spacer			
22	25644	Spring			
23	308292	Lower Handle			
24	310055	Handle, Depth Adjust			
25	308245	Control Rod			
26	51887	Spacer			
27	310715	Spacer			
28	2968	Washer			
29	51333	Screw, Hex Wide Flange			
30	48148	* Screw, 3/8-16 x 1 In.			

(\*) Standard Hardware Items - May Be Purchased Locally.

# CRAFTSMAN 9" - 3.0 H.P. EDGER/TRIMMER 536.797560



REF. NO.	PART NO.	PART NAME
1	314781	Pulley, Half
2	181608	Screw, 5/16-24 x 1.0 HHC
3	313011	Screw and Washer Assembly
4	309448	Belt Guide
5	314794	Engine, Craftsman 4 Cycle Model 143.814032
6	308155	Torsion Spring
7	308237	Spacer
8	53407	Spacer
9	430464	Screw, HHC, 5/16-18 x 3-3/4 In.
10	309300	Engine Pulley Cover
11	181624	Screw, HHC, 5/16-24 x 3 In.
12	308254	Shoulder Bolt, 3/8-16 Thd.
13	308262	Belt Guard
14	274654	Locknut, Reg Hex 1/2-20 Thd.
15	305634	Pulley, Half
16	411666	Screw, Tap, #10-16 x 1/2 In.
17	32668	V-Belt
18	43846	Ball Bearing
19	48697	Drive Shaft
20	120371	Nut, 1/2-20 Thd.

REF. NO.	PART NO.	PART NAME
21	4935	Shield Washer
22	2968	Flatwasher
23	315226	Quill Arm Assembly
24	9413447	Nut, 5/16-18 Reg Hex Locknut
25	312564	Decal, Blade Cover
26	315233	Compression Spring
27	312573	Blade Guard
28	9413534	Nut, 5/16-18 Thd.
29	455999	Carriage Bolt, 5/16-18 x 5/8 In.
30	88716	Blade
31	315072	Flatwasher
32	308501	Quill Support Assembly
33	51842	Spacer
34	308243	Deflector
35	309360	Strap
36	35075	Hi-Pro Key
37	315095	Spacer
38	308466	Index Lever
39	312561	Decal, Angle Indicator
40	45602	Flatwasher