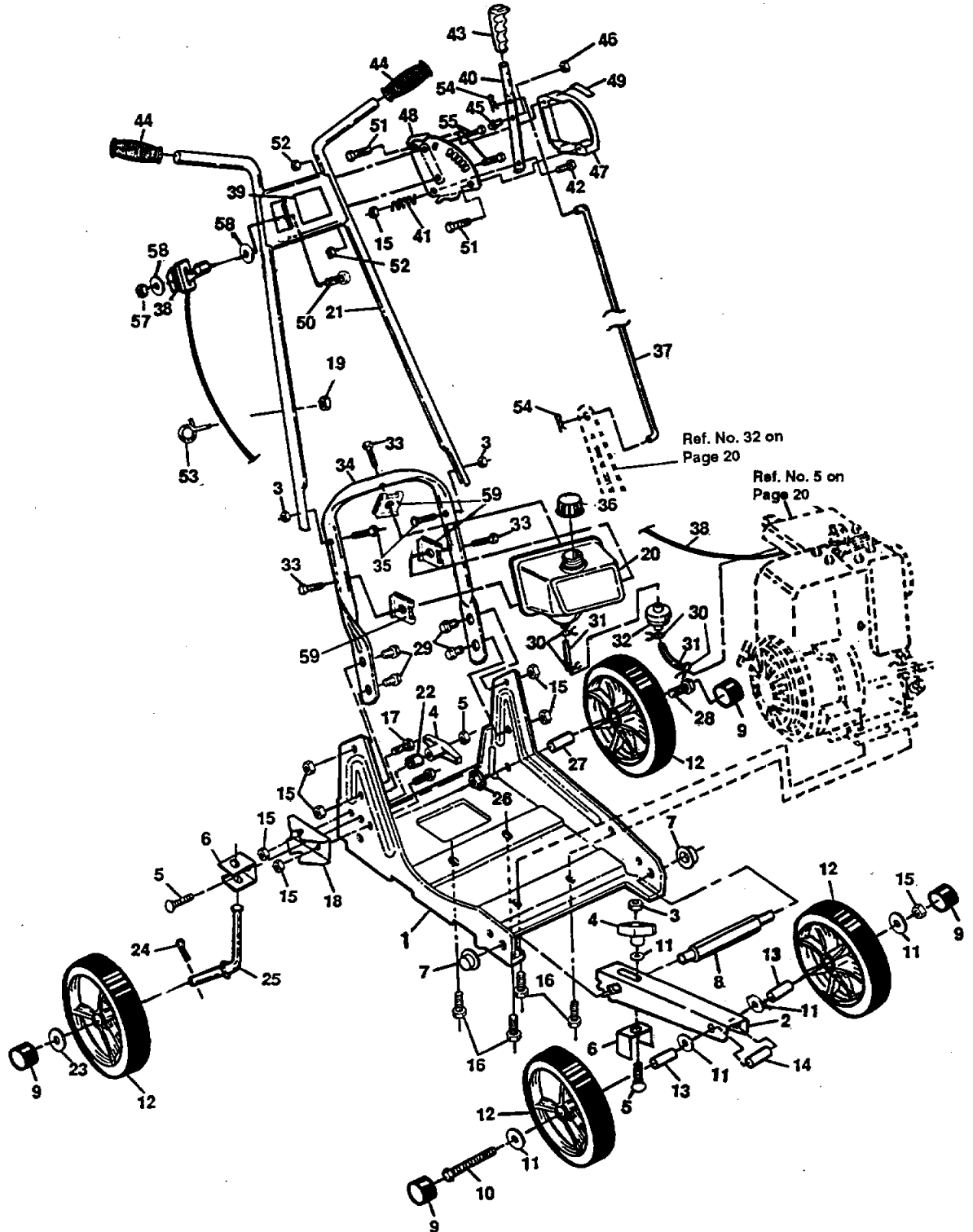


CRAFTSMAN 9" - 3.5 H.P. EDGER/TRIMMER 536.797530



NOTE: ALWAYS USE ORIGINAL EQUIPMENT PARTS Use of service/replacement parts other than original parts may void your warranty.

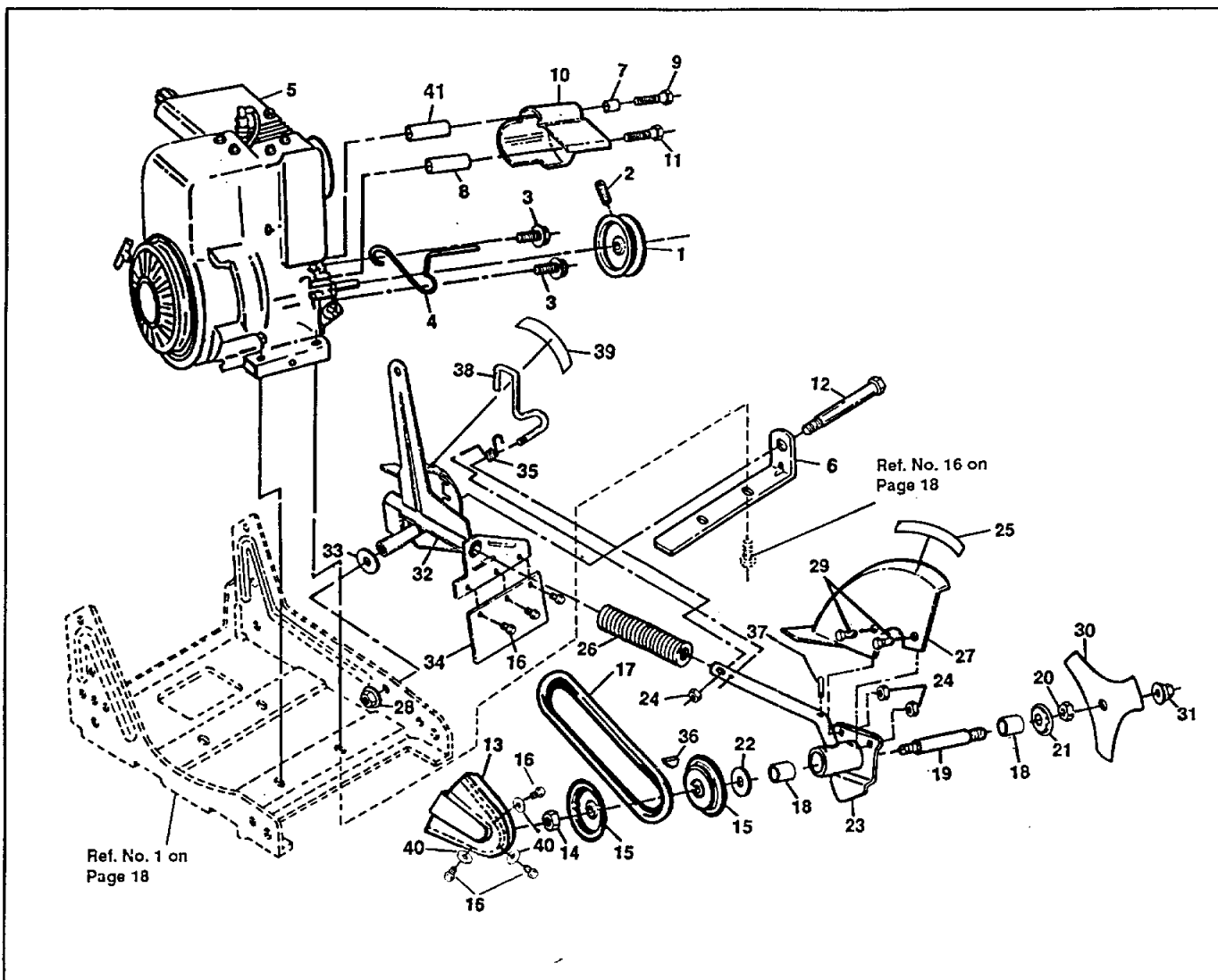
ALL UNNUMBERED ITEMS ARE INTERCHANGEABLE WITH OPPOSITE SIDE

CRAFTSMAN 9" - 3.5 H.P. EDGER/TRIMMER 536.797530

REF. NO.	PART NO.	PART NAME	REF. NO.	PART NO.	PART NAME
1	313248	Edger Frame	32	56679	Filter, In-Line
2	6852	Front Wheel Arm	33	315039	Screw, #10-24 x 1.50 In.
3	120376	* Nut, 5/16-18 HWD Thd.	34	308292	Lower Handle
4	57171	Plastic T-Knob	35	56199	* Carriage Bolt 5/16-18 x 1-5/8 In.
5	120230	* Carriage Bolt 5/16-18 x 1-1/4 In.	36	309322	Fuel Filler Cap
6	8082	Clevis	37	310385	Control Rod
7	51615	* Pushnut Washer	38	310144	Throttle Control
8	51376	Pivot Rod	39	312546	Decal, Throttle Control
9	36663	Hubcap	40	310055	Handle, Depth Adjust
10	190628	* Screw, HHC 5/16-18 x 4.50 Thd	41	25644	Spring
11	120393	* Flatwasher	42	122027	* Screw, 5/16-18 x 1-1/4 In.
12	310633	Wheel and Tire Assembly	43	307017	Grip, Hand Depth Adjust
13	51887	Spacer	44	309114	Hand Grip
14	51888	Spacer	45	310053	Stud
15	9413447	Nut, Reg Hex 5/16-18 Thd.	46	9413534	Nut, Reg Hex 3/8-16 Thd.
16	48148	* Screw, 3/8-16 x 1 In.	47	311681	Quadrant Cover
17	122007	* Screw, HHC 5/16-18 x 3/4 In.	48	310655	Quadrant
18	6842	Bracket	49	312523	Decal, Depth Adjust
19	1498	* Nut, 5/16-18 Thd.	50	457022	* Screw, 1/4-20 x1-1/8 In.
20	308307	Gas Tank	51	49050	* Screw, 1/4-10 x 3/4 In.
21	308499	Upper Handle Assembly	52	9424215	Nut, 1/4-20 Thd.
22	51842	Spacer	53	309445	Rope Guide
23	2968	Flatwasher	54	36368	Hair Pin
24	121222	Cotter Pin	55	121913	Screw, 1/4-20 x 1-1/4 In.
25	310896	Wheel Support Rod	56	309445	Rope Guide
26	45171	* Locknut, WdFILk, 3/8-16 Thd.	57	271172	Nut, Keps 1/4-20
27	310715	Spacer	58	446188	Washer
28	310716	Shoulder Bolt	59	309811	Nut - "U" Type 10-24
29	9437384	* Screw, 5/16-18 x 5/8 In.	60	327861	Owner's Manual (Not Illustrated)
30	48672	Fuel Line Clamp			
31	309306	Fuel Line Tubing			

(* Standard Hardware Items - May Be Purchased Locally.

CRAFTSMAN 9" - 3.5 H.P. EDGER/TRIMMER 536.797530



REF. NO.	PART NO.	PART NAME
1	32689	Engine Pulley
2	102580	Set Screw, 5/16-18 x 1/4 In.
3	313011	Screw and Washer Assembly
4	309448	Belt Guide
5	308278	Engine
6	309360	Strap
7	308237	Spacer
8	53407	Spacer
9	430464	Screw, HHC, 5/16-18 x 3-3/4 In.
10	309300	Engine Pulley Cover
11	181624	Screw, HHC, 5/16-24 x 3 In.
12	308254	Shoulder Bolt, 3/8-16 Thd.
13	308262	Belt Guard
14	274654	Locknut, 1/2-20 Thd.
15	305634	Pulley, Half
16	411666	Screw, Tap, #10-16 x 1/2 In.
17	8869	V-Belt
18	43846	Ball Bearing
19	48697	Drive Shaft
20	120371	Nut, 1/2-20 Thd.
21	4935	Shield Washer

REF. NO.	PART NO.	PART NAME
22	2968	Flatwasher
23	308291	Quill Arm Assembly
24	1498	Nut, 5/16-18 Thd.
25	312564	Decal, Blade Cover
26	309301	Compression Spring
27	313247	Blade Guard
28	1499	Nut, 5/16-18 Thd.
29	455999	Carriage Bolt, 5/16-18 x 5/8 In.
30	88716	Blade
31	46023	Nut, Wide Flange, 1/2-20 Thd.
32	308501	Quill Support Assembly
33	120396	Flatwasher
34	308243	Deflector
35	308155	Torsion Spring
36	35075	Hi-Pro Key
37	9421202	Spring Pin
38	308466	Index Lever
39	312561	Decal, Angle Indicator
40	1501	Flatwasher, .203 x .56 x .040
41	315095	Spacer