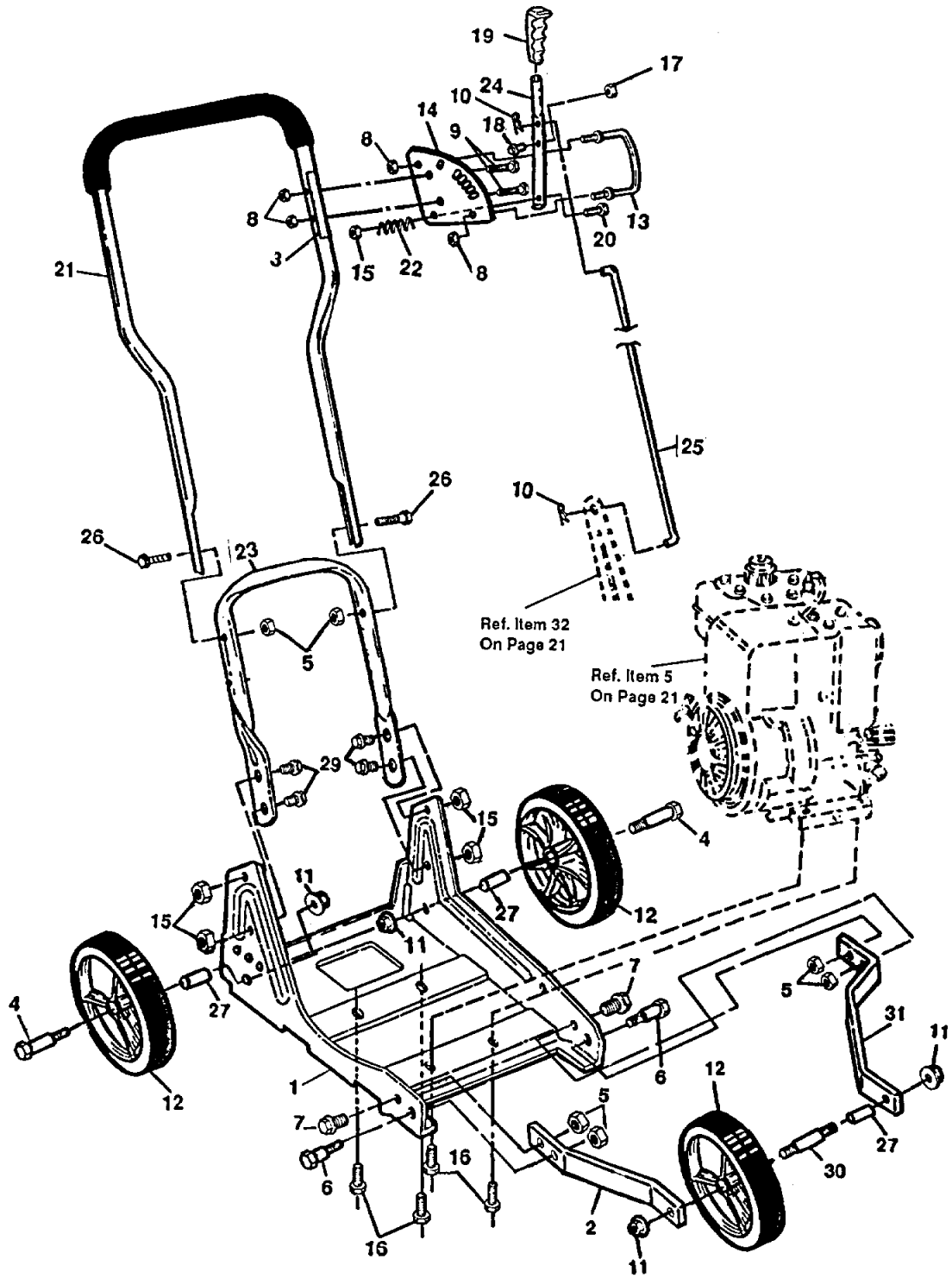


CRAFTSMAN 9" - 3.0 H.P. EDGER/TRIMMER 536.797520



NOTE: ALWAYS USE ORIGINAL EQUIPMENT PARTS. Use of service/ replacement parts other than original parts may void your warranty.

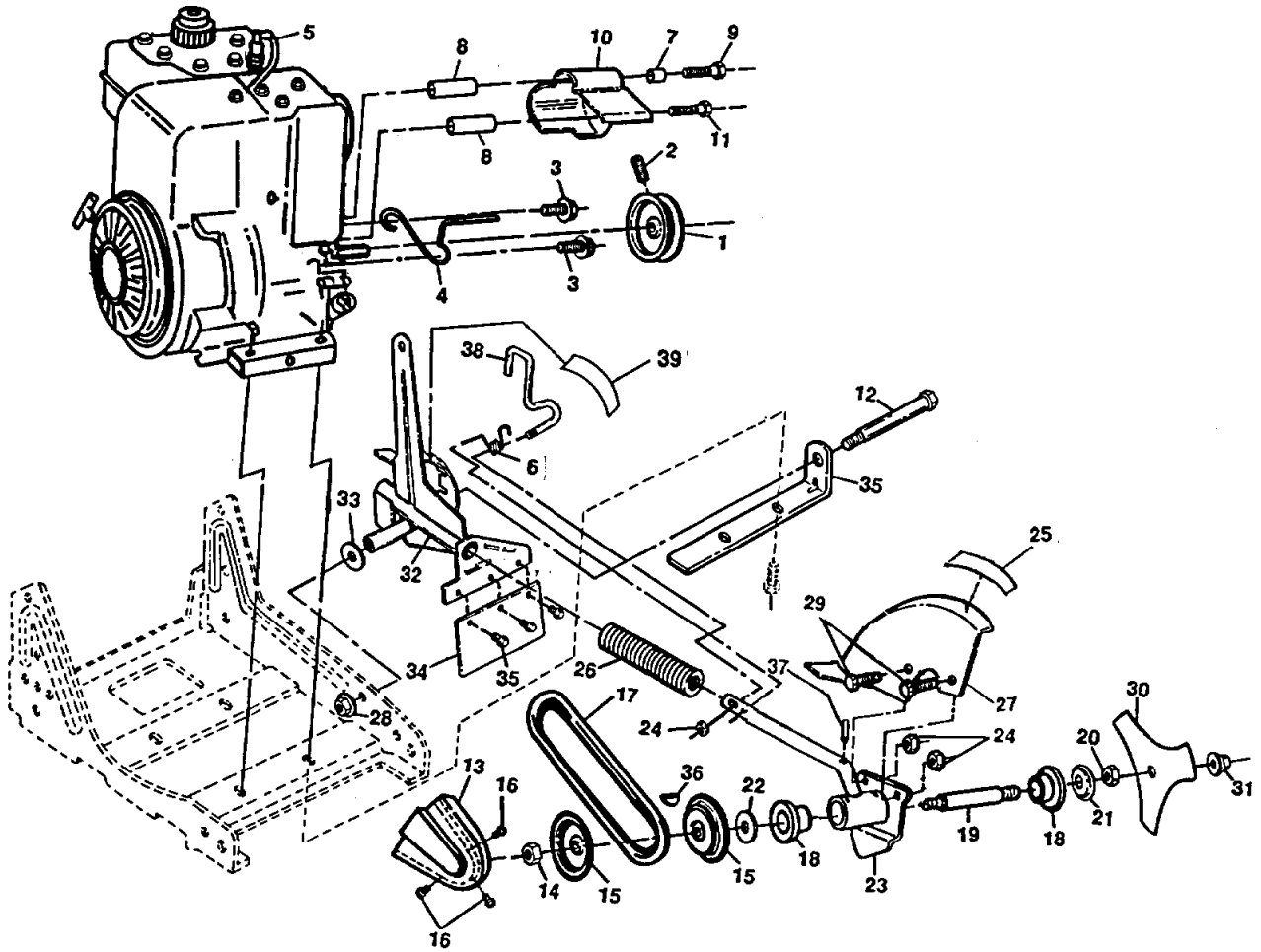
ALL UNNUMBERED ITEMS ARE INTERCHANGEABLE WITH OPPOSITE SIDE

CRAFTSMAN 9" - 3.0 H.P. EDGER/TRIMMER 536.797520

REF. NO.	PART NO.	PART NAME	REF. NO.	PART NO.	PART NAME
1	313248	Edger Frame	30	313564	Stud
2	6950	Arm, Wheel Support, Right	31	313563	Arm, Wheel Support, Left
3	312523	Decal, Height Adjust	32	309303	Owner's Manual (Not Illustrated)
4	310716	Shoulder Bolt			
5	9413447	Nut, Hex, 5/16-18 Thd.			
6	309902	Shoulder Bolt			
7	122007	* Screw, 5/16-18 x 3/4 In.			
8	9424215	* Nut, Lock, 1/4-20 Thd.			
9	121926	Screw, 1/4-20 x 1-1/2 In.			
10	36368	Hairpin			
11	45171	Nut, Hx Wd Fl Lock, 3/8-16 Thd.			
12	312415	Wheel and Tire Assembly			
13	311670	Strap			
14	310054	Quadrant			
15	9413447	Nut, Reg Hex 5/16-18 Thd.			
16	48148	* Screw, 3/8-16 x 1 In.			
17	9413534	* Nut, Hex, 3/8-16 Thd.			
18	310053	Stud			
19	307017	Grip, Hand Depth Adjust			
20	122017	* Screw, 5/18-18 x 1 In.			
21	310294	Upper Handle Assembly			
22	25644	Spring			
23	308292	Lower Handle			
24	310055	Handle, Depth Adjust			
25	308245	Control Rod			
26	122040	*Screw, 5/16-18 x 1-1/2 In.			
27	310715	Spacer			
28	23763	Shoulder Bolt, 3/8-16 x 1.40 In.			
29	51333	Screw, Hex Wide Flange			

(*) Standard Hardware Items - May Be Purchased Locally.

CRAFTSMAN 9" - 3.0 H.P. EDGER/TRIMMER 536.797520



CRAFTSMAN 9" - 3.0 H.P. EDGER/TRIMMER 536.797520

REF. NO.	PART NO.	PART NAME
1	32689	Engine Pulley
2	102580	Set Screw, 5/16-18 x 1/4 In.
3	313011	Screw and Washer Assembly
4	309448	Belt Guide
5	308612	Engine, Craftsman 4 Cycle Model 143.804092
6	308155	Torsion Spring
7	308237	Spacer
8	53407	Spacer
9	430464	Screw, HHC, 5/16-18 x 3-3/4 In.
10	309300	Engine Pulley Cover
11	181624	Screw, HHC, 5/16-24 x 3 In.
12	308254	Shoulder Bolt, 3/8-16 Thd.
13	308262	Belt Guard
14	274654	Locknut, 1/2-20 Thd.
15	305634	Pulley, Half
16	411666	Screw, Tap, #10-16 x 1/2 In.
17	8869	V-Belt
18	43846	Ball Bearing
19	48697	Drive Shaft
20	120371	Nut, 1/2-20 Thd.

REF. NO.	PART NO.	PART NAME
21	4935	Shield Washer
22	2968	Flatwasher
23	308291	Quill Arm Assembly
24	9413447	Nut, 5/16-18 Thd.
25	312564	Decal, Blade Cover
26	309301	Compression Spring
27	313247	Blade Guard
28	9413534	Nut, 3/8-16 Thd.
29	455999	Carriage Bolt, 5/16-18 x 5/8 In.
30	88716	Blade
31	46023	Nut, Wide Flange, 1/2-20 Thd.
32	308501	Quill Support Assembly
33	120396	Flatwasher
34	308243	Deflector
35	309360	Strap
36	35075	Hi-Pro Key
37	9421202	Spring Pin
38	308466	Index Lever
39	312561	Decal, Angle Indicator