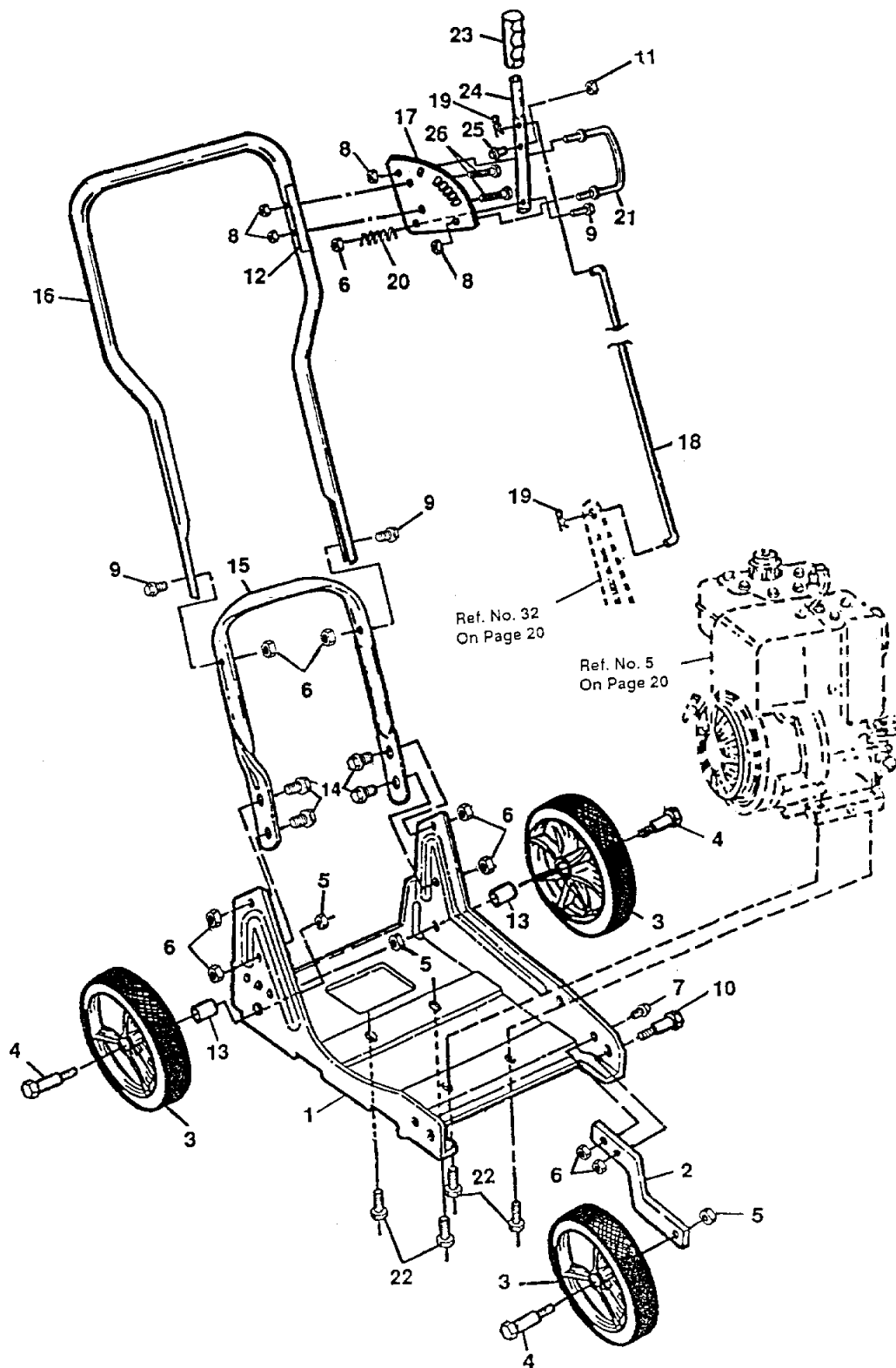


CRAFTSMAN 9" - 2.5 H.P. EDGER 536.797512



NOTE: ALWAYS USE ORIGINAL EQUIPMENT PARTS Use of service/ replacement parts other than original parts may void your warranty.

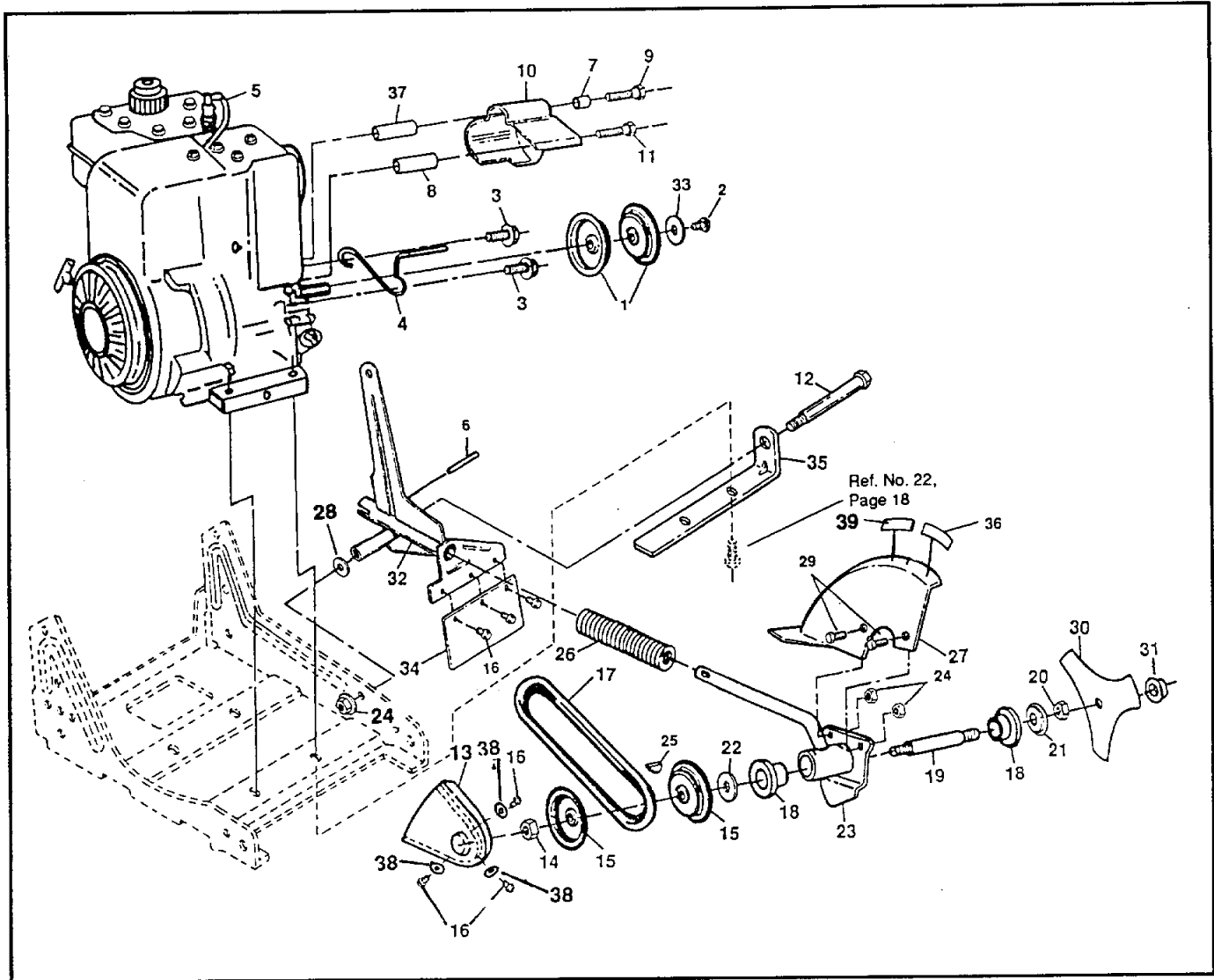
ALL UNNUMBERED ITEMS ARE INTERCHANGEABLE WITH OPPOSITE SIDE

CRAFTSMAN 9" - 2.5 H.P. EDGER 536.797512

REF. NO.	PART NO.	PART NAME	REF. NO.	PART NO.	PART NAME
1	323534-854	Edger Frame	24	310055-853	Handle, Depth Adjust
2	51796-854	Front Wheel Arm	25	310053	Stud
3	323917	Wheel and Tire Assembly	26	121913	* Screw, 1/4 -20 x 1-1/4 In.
4	23763	Shoulder Bolt 3/8-16 x 1.390 In.	27	323019	Owner's Manual (Not Illustrated)
5	45171	Nut, Wide Fl Lock, 3/8-16 Thd.			
6	1498	* Nut, Hex, 5/16-18 Thd.			
7	122007	* Screw, 5/16-18 x 3/4 In.			
8	1502	Nut, Lock, 1/4-20 Thd.			
9	122027	Screw, 5/16-18 x 1-1/4 In.			
10	309902	Shoulder Bolt, 5/16-18 Thd.			
11	1499	* Nut, Hex, 3/8-16 Thd.			
12	312548	Decal, Height Adjust			
13	21882	Spacer			
14	51333	* Screw, Hex Wide Flange, 5/16-18 x 5/8 In.			
15	308253-853	Lower Handle			
16	310146-853	Upper Handle			
17	310052-853	Selector Plate			
18	580292	Control Rod			
19	36368	Hair Pin			
20	25644	Spring			
21	580330	Lever Strap			
22	48148	* Screw, HexWahTap, 3/8-16 X 1 In.			
23	56924	Handle, Grip			

(* Standard Hardware Items - May Be Purchased Locally.

CRAFTSMAN 9" - 2.5 H.P. EDGER 536.797512



REF. NO.	PART NO.	PART NAME
1	314781	Engine Pulley, Half
2	181608	Set Screw, 5/16-24 x 1 In.
3	313011	Screw and Washer Assembly
4	580331-953	Belt Guide
5	314794	Engine, Craftsman 4-Cycle Model No. 143.814032
6	412281	Spring Pin
7	308237	Spacer
8	53407	Spacer
9	173030	Screw, HHC, 5/16-18 x 3-3/4 In.
10	309300	Engine Pulley Cover
11	181624	Screw, HHC, 5/16-24 x 3 In.
12	308254	Shoulder Bolt, 3/8-16 Thd.
13	308262	Belt Guard
14	274654	Locknut, 1/2-20 Thd.
15	305634	Pulley, Half
16	411666	Screw, Tap, #10-16 x 1/2 In.
17	32668	V-Belt
18	43846	Ball Bearing
19	48697	Drive Shaft

REF. NO.	PART NO.	PART NAME
20	120371	Nut, 1/2-20 Thd.
21	47009	Retainer Hub Cap
22	2968	Flatwasher
23	323500	Quill Arm Assembly
24	1498	Nut, 5/16-18 Thd.
25	35075	Hi-Pro Key
26	315233	Compression Spring
27	320222	Blade Guard
28	120396	Flat Washer
29	126211	Carriage Bolt, 5/16-18 x 5/8 In.
30	308344-853	Blade
31	46023	Nut, Wide Flange, 1/2-20 Thd.
32	308539-854	Quill Support Assembly
33	45602	Flatwasher
34	308243	Deflector
35	308154-854	Strap
36	324475	Decal, Danger, Blade Edger
37	315095	Spacer
38	1501	Flatwasher, .203 x .56 x .040
39	324476	Decal, Warning Edger Blade