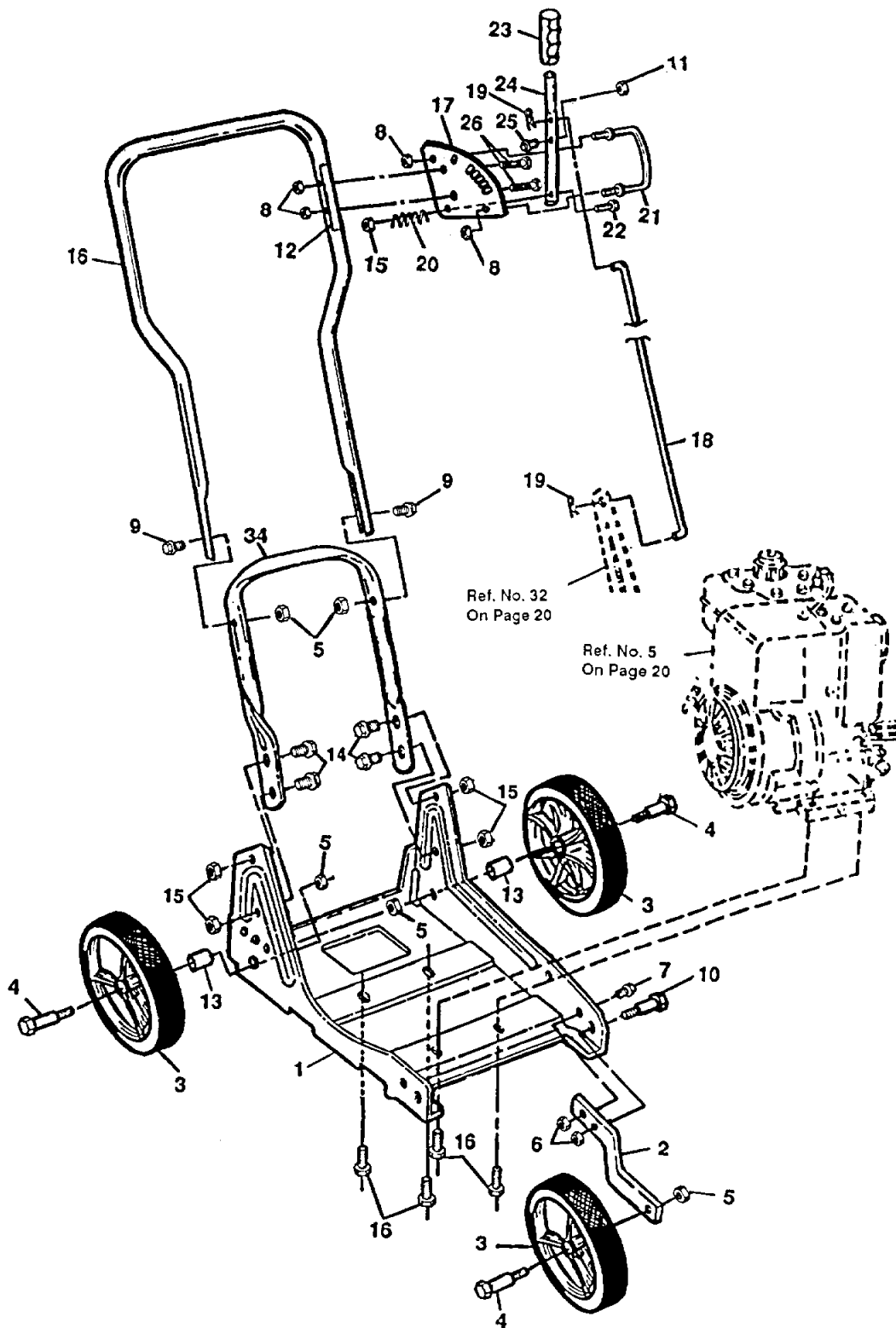


CRAFTSMAN 9" - 2.5 H.P. EDGER 536.797510



NOTE: ALWAYS USE ORIGINAL EQUIPMENT PARTS Use of service/ replacement parts other than original parts may void your warranty.

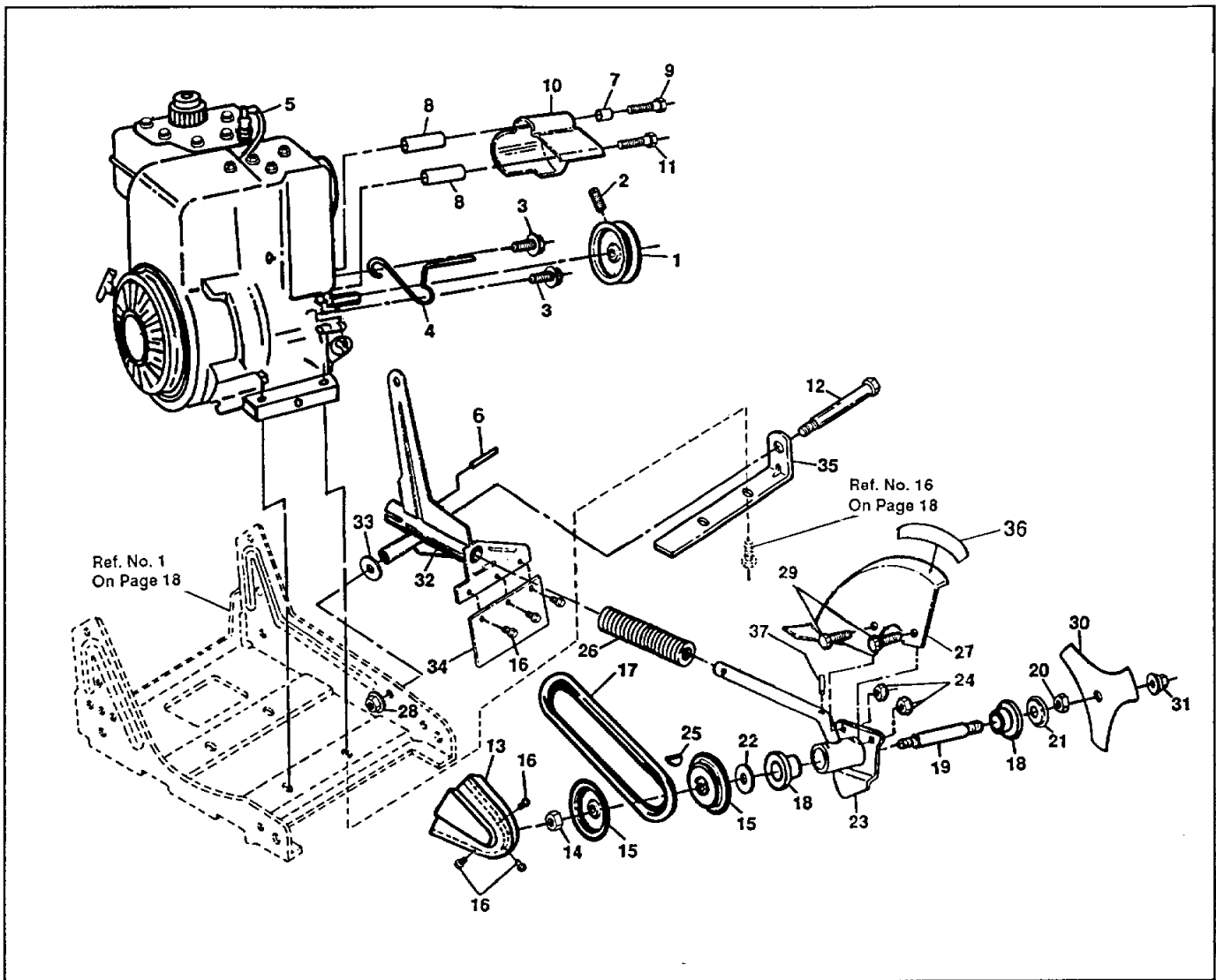
ALL UNNUMBERED ITEMS ARE INTERCHANGEABLE WITH OPPOSITE SIDE

CRAFTSMAN 9" - 2.5 H.P. EDGER 536.797510

REF. NO.	PART NO.	PART NAME	REF. NO.	PART NO.	PART NAME
1	313248	Edger Frame	25	310053	Stud
2	6950	Front Wheel Arm	26	121913	* Screw, 1/4-2 x 1-1/4 In.
3	312409	Wheel and Tire Assembly	27	308408	Owner's Manual (Not Illustrated)
4	23763	Shoulder Bolt 3/8-16 x 1.390 In.			
5	45171	Nut, Wide Fl Lock, 3/8-16 Thd.			
6	120376	* Nut, Hex, 5/16-18 Thd.			
7	122007	* Screw, 5/16-18 x 3/4 In.			
8	9424215	Nut, Lock, 1/4-20 Thd.			
9	122027	Screw, 5/16-18 x 1-1/4 In.			
10	309902	Shoulder Bolt, 5/16-18 Thd.			
11	9413534	* Nut, Hex, 3/8-16 Thd.			
12	312548	Decal, Height Adjust			
13	21882	Spacer			
14	51333	* Screw, Hex Wide Flange, 5/16-18 x 5/8 In.			
15	9413447	Nut, Reg Hex 5/16-18 Thd.			
16	310147	Upper Handle			
17	310623	Selector Plate			
18	308245	Control Rod			
19	36368	Hair Pin			
20	25644	Spring			
21	311670	Lever Strap			
22	122017	* Screw, 5/16-18 x 1 In.			
23	56924	Handle, Grip			
24	310055	Handle, Depth Adjust			

(*) Standard Hardware Items - May Be Purchased Locally.

CRAFTSMAN 9" - 2.5 H.P. EDGER 536.797510



REF. NO.	PART NO.	PART NAME	REF. NO.	PART NO.	PART NAME
1	32689	Engine Pulley	20	120371	Nut, 1/2-20 Thd.
2	102580	Set Screw, 5/16-18 x 1/4 In.	21	4935	Shield Washer
3	313011	Screw and Washer Assembly	22	2968	Flatwasher
4	309448	Belt Guide	23	308349	Quill Arm Assembly
5	312165	Engine, Craftsman 4-Cycle Model No. 143.804082	24	9413447	Nut, 5/16-18 Thd.
6	412281	Spring Pin	25	35075	Hi-Pro Key
7	308237	Spacer	26	309301	Compression Spring
8	53407	Spacer	27	313247	Blade Guard
9	430464	Screw, HHC, 5/16-18 x 3-3/4 In.	28	9413534	Nut, 3/8-16 Thd.
10	309300	Engine Pulley Cover	29	455999	Carriage Bolt, 5/16-18 x 5/8 In.
11	181624	Screw, HHC, 5/16-24 x 3 In.	30	308502	Blade
12	308254	Shoulder Bolt, 3/8-16 Thd.	31	46023	Nut, Wide Flange, 1/2-20 Thd.
13	308262	Belt Guard	32	308540	Quill Support Assembly
14	274654	Locknut, 1/2-20 Thd.	33	120396	Flatwasher
15	305634	Pulley, Half	34	308243	Deflector
16	411666	Screw, Tap, #10-16 x 1/2 In.	35	309360	Strap
17	8869	V-Belt	36	312564	Decal, Blade Cover
18	43846	Ball Bearing	37	9421202	Spring Pin
19	48697	Drive Shaft			