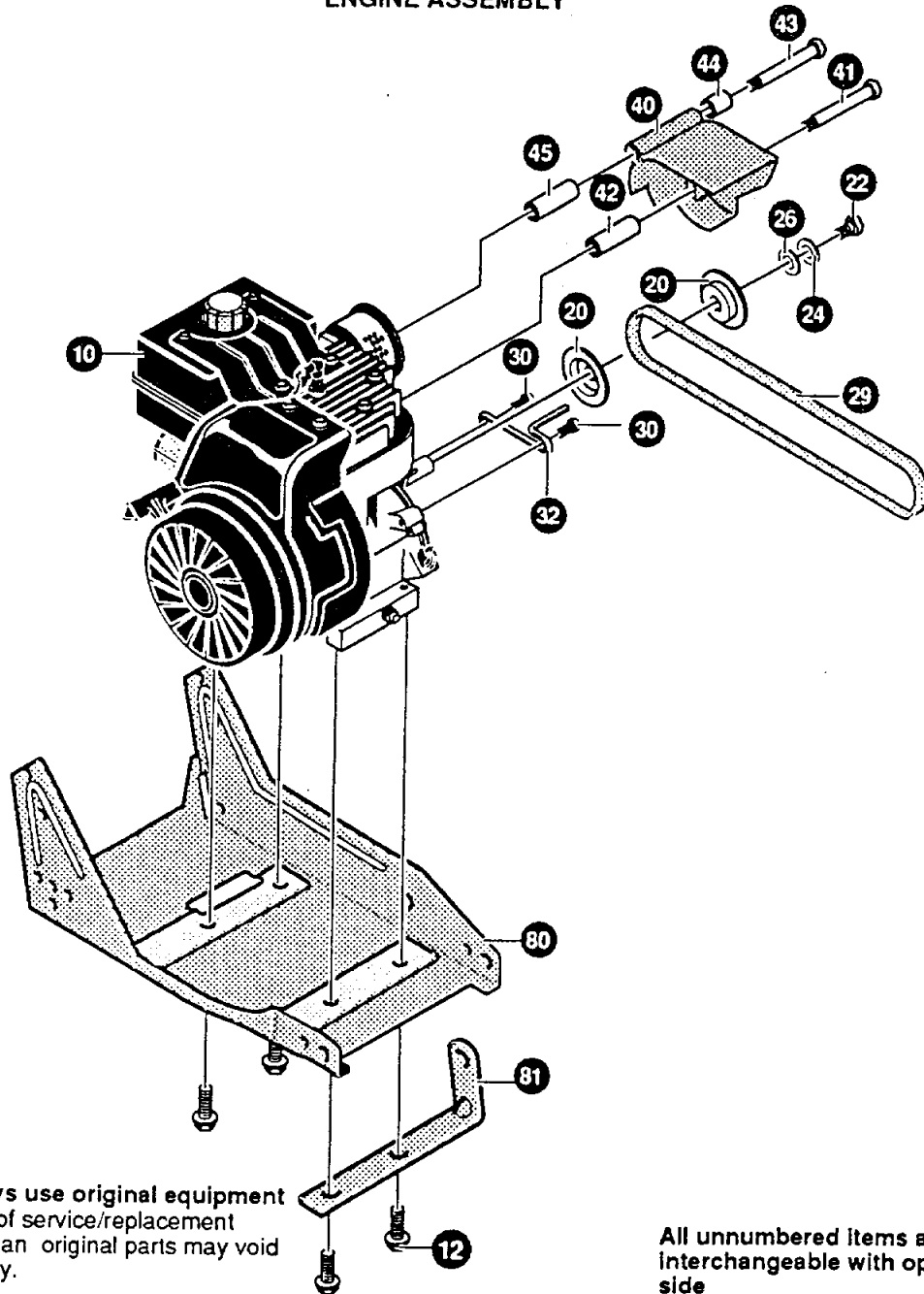


**CRAFTSMAN 9" - 3.8 H.P. EDGER/TRIMMER 536.797480
ENGINE ASSEMBLY**



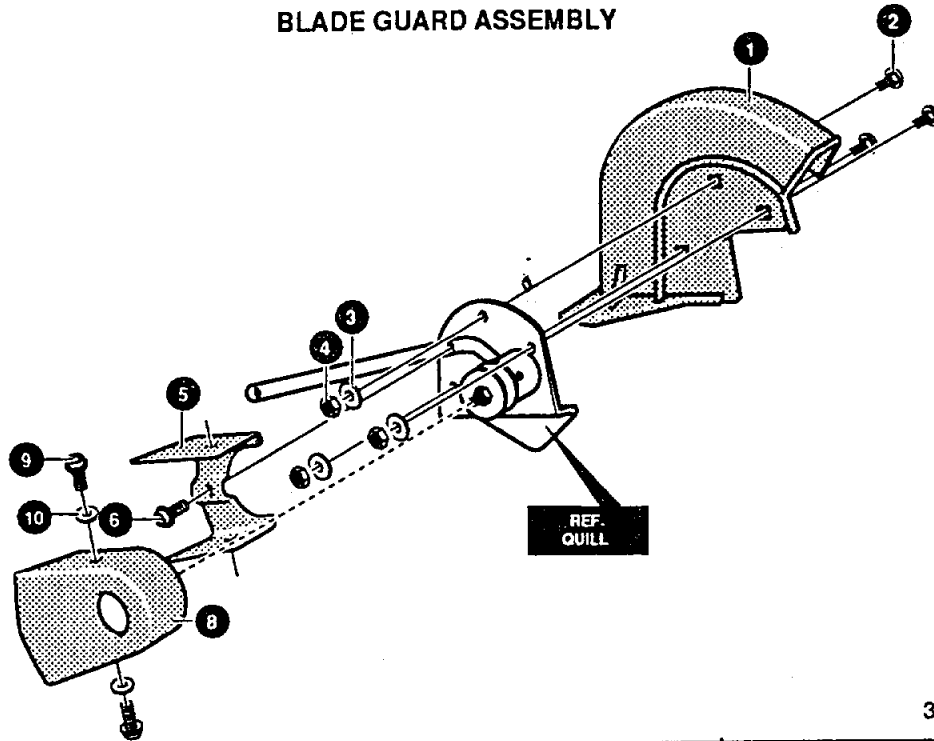
Note: Always use original equipment parts. Use of service/replacement parts other than original parts may void your warranty.

All unnumbered items are interchangeable with opposite side

REF. NO.	PART NO.	PART NAME
10	ENGINE	3.8 hp. 143.963509 (See Engine pages)
12	48148	Screw, 3/8-16 x 1.00
20	314781	Pulley, Half V3L
22	181608	Screw, 5/16-24x 1.00 HHC
24	120638	Washer, SPTLK .328x.60x.09
26	45602	Washer, Flat .333x.87x.119
29	32668	Belt, V 4L 32.60LG
30	313011	Screw and Washer Assy
32	51600	Guide, Belt

REF. NO.	PART NO.	PART NAME
40	331281-848	Cover, Engine Pulley
41	181624	Screw, 5/16-24x3.00 HHC
42	315095	Spacer, Sleeve .335x.431x2.50
43	173030	Screw, 5/16-24x3.75
44	308237	Spacer, .322ID .562 OD
45	315095	Spacer, Sleeve .335x.431x2.50
80	323534-848	Frame, Assy Edger
81	308154-848	Strap
	339908	Owner's Manual

CRAFTSMAN 9" - 3.8 H.P. EDGER/TRIMMER 536.797480
BLADE GUARD ASSEMBLY

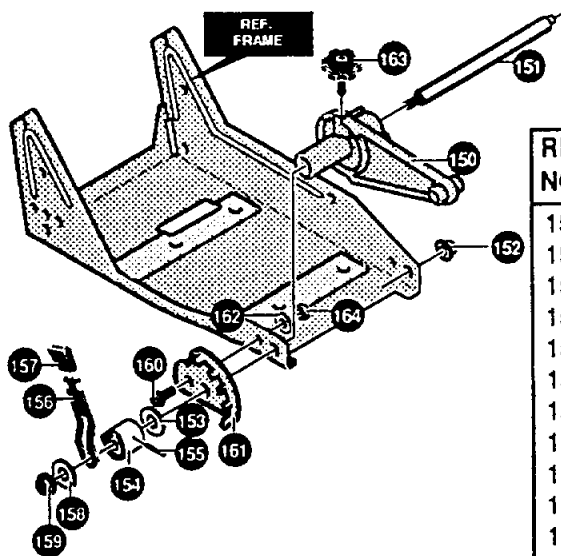


332247 D

REF. NO.	PART NO.	PART NAME
1	331076-848	Blade Guard
2	57072	Carr. Bolt 5/16-18x.63
3	120393	Flatwasher .344x.69x.065
4	1498	Nut, 5/16-18 Reghexctrik
5	326748-848	Guide, Belt Front

REF. NO.	PART NO.	PART NAME
6	995346	Screw, 1/4-20x.50 Tap
8	53405-848	Cover, Quill Pulley
9	411666	Screw, 10-24x.50 Tap
10	1501	Flatwasher .203x.56x.040

FRONT WHEEL BRACKET ASSEMBLY

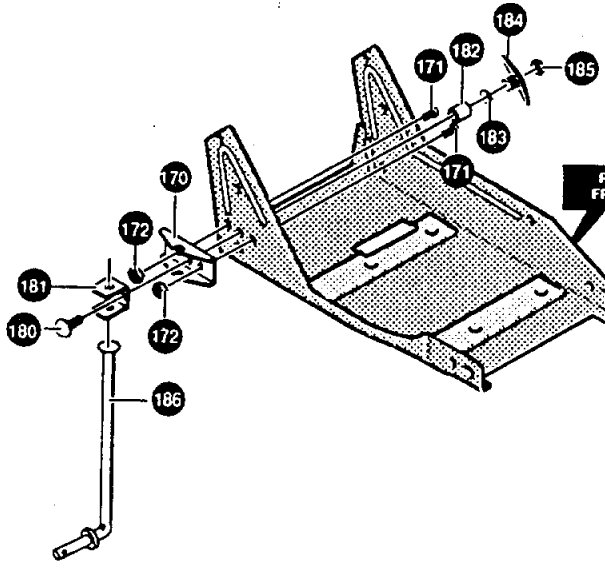


REF. NO.	PART NO.	PART NAME
150	339299-848	Arm, Front Wheel
151	331422	Rod, Front Mount Curb Hopper
152	338614	Pushnut, Washer
153	325892	Washer, Plastic
154	331421	Spacer, Height Adjust
155	332002	Pin, Spring .187Diax1.50Lg
156	331419	Lever, Height Adjust
157	20252	Knob, Rectangle
158	22265	Flatwasher .515x1.38x.119PL
159	45905	Nut, 3/8-16 Hwdflk Mack
160	51333	Screw, 5/16-18x.63
161	331394-848	Plate, Height Adjust Quad
162	120393	Flatwasher, .344x.69x.065
163	339388	Knob, W/5/16-18 Stud
164	1498	Nut, 5/16-18 Reghexctrik

331765D

CRAFTSMAN 9" - 3.8 H.P. EDGER/TRIMMER 536.797480

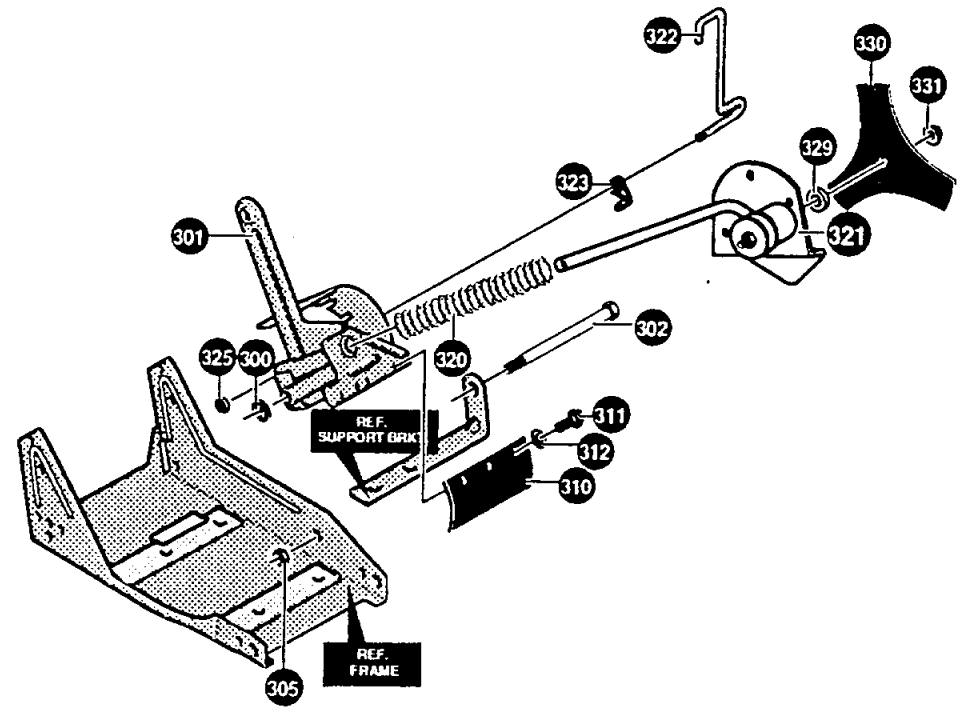
CURB HOPPER ASSEMBLY



REF. NO.	PART NO.	PART NAME
170	6842	Bracket, Curb Hop Mnt
171	180077	Screw, 5/16-18x.75
172	1498	Nut, 5/16-18 Reghexctrik
180	126380	Carr. Bolt, 5/16-18x2.00
181	8082	Clevis
182	45222	Spacer, Slev .356x.63x1.01
183	120393	Flatwasher .344x.69x.065
184	13527	Knob, T
185	120376	Nut, 5/16-18 Reghex
186	310896	Rod, Wheel Support

323179D

BLADE ASSEMBLY



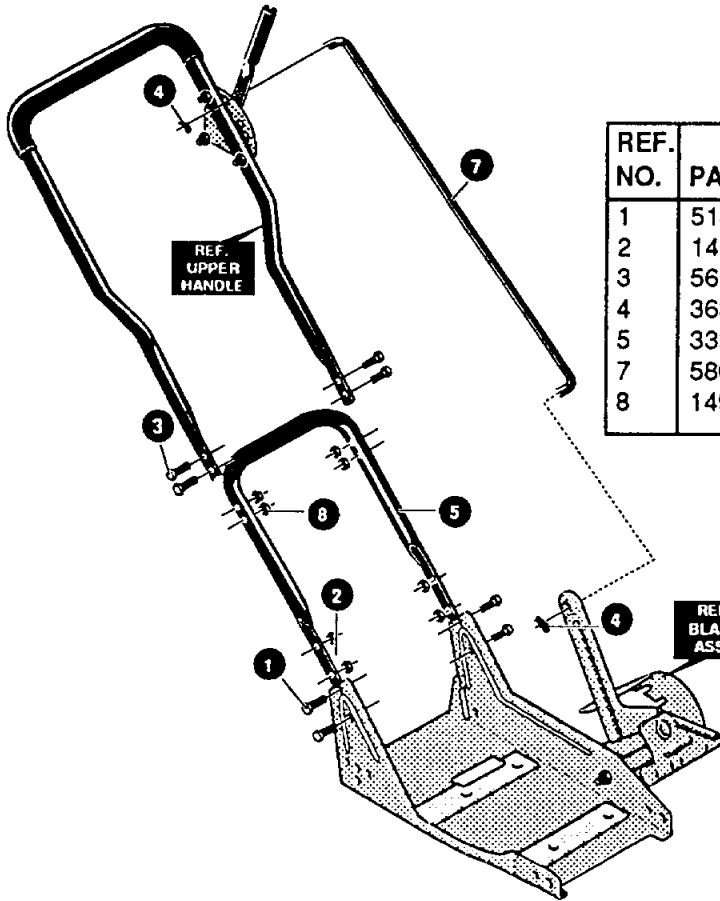
323129C

REF. NO.	PART NO.	PART NAME
300	120396	Flatwasher, .531x1.06x.095
301	338656-848	Quill Suppt. Assy.
302	308254	Shoulder Bolt 3/8-16
305	1499	Nut, 3/8-16 Reghexctrik
310	308243	Deflector, Rubber
311	411666	Screw, 10-16x.50 Tap
312	1501	Flatwasher, .203x.56x.040
320	51603	Compression Spring

REF. NO.	PART NO.	PART NAME
321	338070	Quill Assembly, Lrg Suppt.
322	308466	Index Lever
323	308155	Torsion Spring
325	1498	Nut, 5/16-18 Reghexctrik
329	22265	Flatwasher, .515x1.38x.119
330	334056-853	Blade Edger
331	46023	Nut, 1/20 Wdff

CRAFTSMAN 9" - 3.8 H.P. EDGER/TRIMMER 536.797480

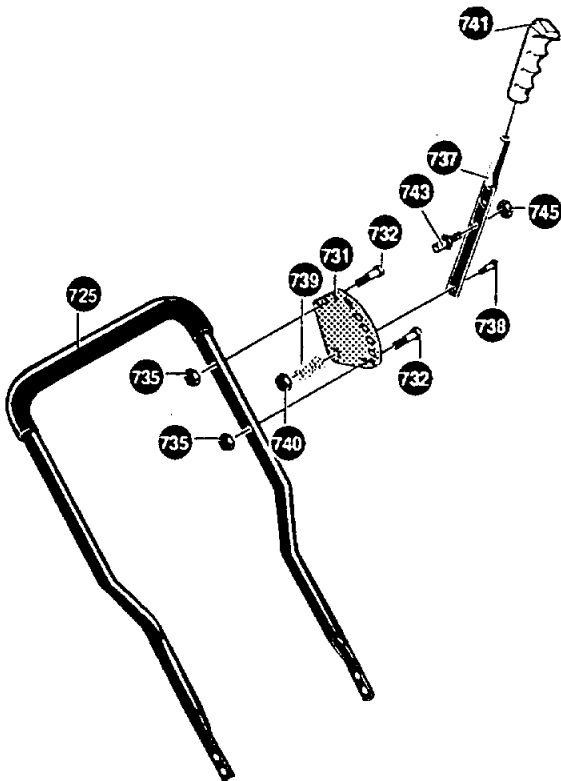
HANDLE ASSEMBLY



REF. NO.	PART NO.	PART NAME
1	51333	Screw, 5/16-18x.63
2	1498	Nut, 5/16-18 Reghexctrk
3	56199	Carr. Bolt, 5/16-18x1.63
4	36368	Hair Pin .072Diax1.13Lg
5	332232-853	Lower Handle
7	580292-853	Control Rod
8	1498	Nut, 5/16-18 Rehhexctrk

332237C

UPPER HANDLE ASSEMBLY



REF. NO.	PART NO.	PART NAME
725	332239	Upper Handle & Foam
731	310052-853	Plate Selector
732	180024	Screw, 1/4-20x1.25
735	1502	Nut, 1/4-20 Reghexctrk
737	310050-853	Handle, Depth Adjust
738	180081	Screw, 5/16-18x1.25
739	25644	Spring
740	1498	Nut, 5/16-18 Reghexctrk
741	307017	Grip, Hand
743	310053	Stud
745	1499	Nut, 3/8-16 Reghexctrk

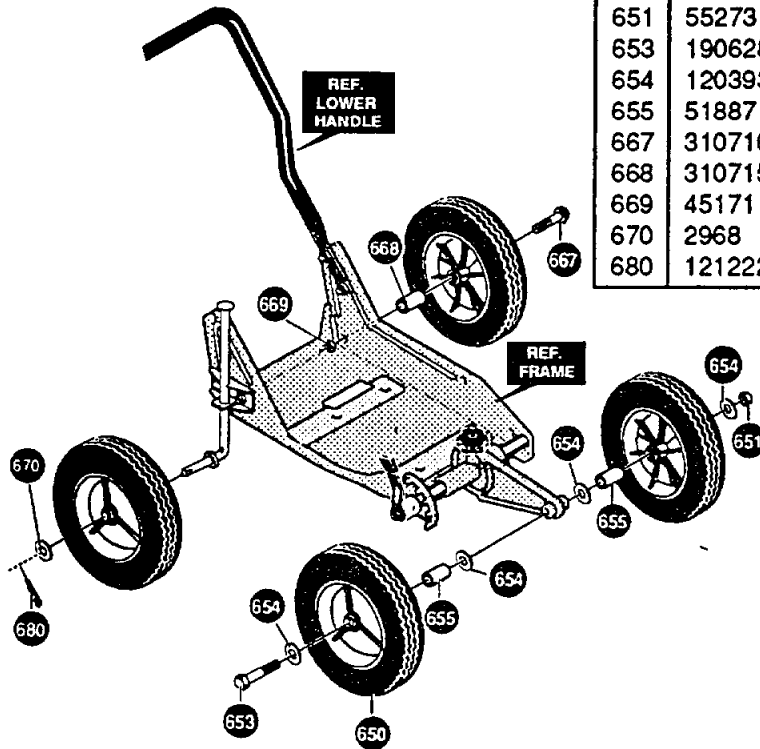
323136E

CRAFTSMAN 9" - 3.8 H.P. EDGER 536.797480

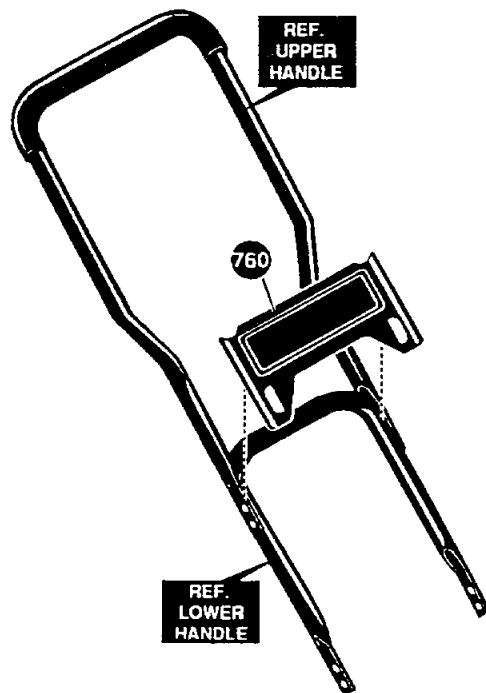
TIRE ASSEMBLY

REF. NO.	PART NO.	PART NAME
650	336556	Tire & Rim w/Brg 8x1.75
651	55273	Nut, 5/16-18 Wdfllk
653	190628	Screw, 5/16-18x4.50
654	120393	Flatwasher, .344x.69x.065
655	51887	Spacer, Slev .328x.495x1.39
667	310716	Shoulder Bolt, 3/8-16
668	310715	Spacer, Slev .390x.70x.70
669	45171	Nut, 3/8-16 Whiz-lock
670	2968	Flatwasher .504x.75x.059
680	121222	Cotter Pin .090Diax.75Lg

332244B



HANDLE PANEL ASSEMBLY

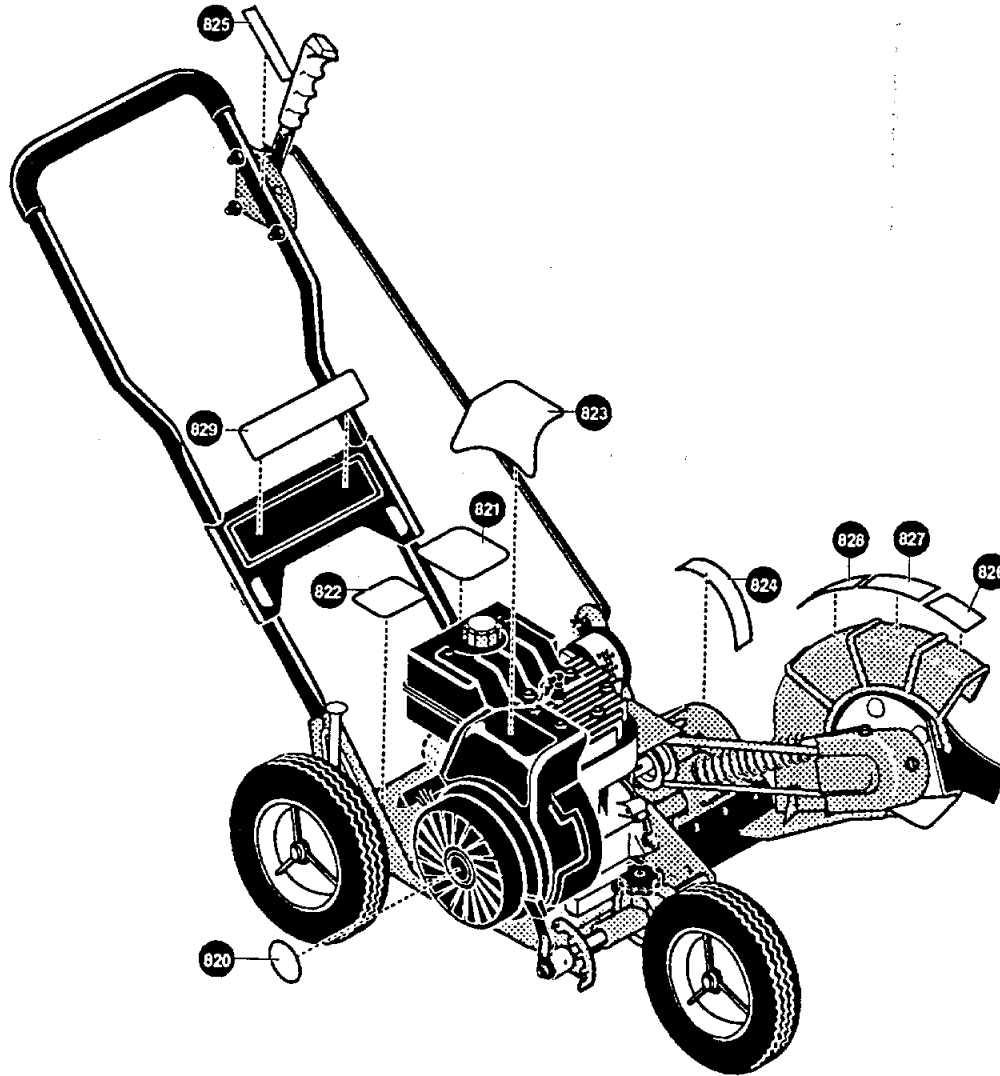


REF. NO.	PART NO.	PART NAME
760	331697-853	Handle Panel Assembly

332228B

CRAFTSMAN 9" - 3.8 H.P. EDGER 536.797480

DECALS



REF. NO.	PART NO.	PART NAME
820	339122	Decal, Recoil Cover
821	69711	Decal, Information Danger
822		Reference Only
823	338983	Decal, 3.8 Sears Edger
824	402881	Decal, Angle Indicator
825	312548	Decal, Quadrant Selector
826	402871	Decal, Blade Guard
829	338979	Decal, Panel Sears

332240C