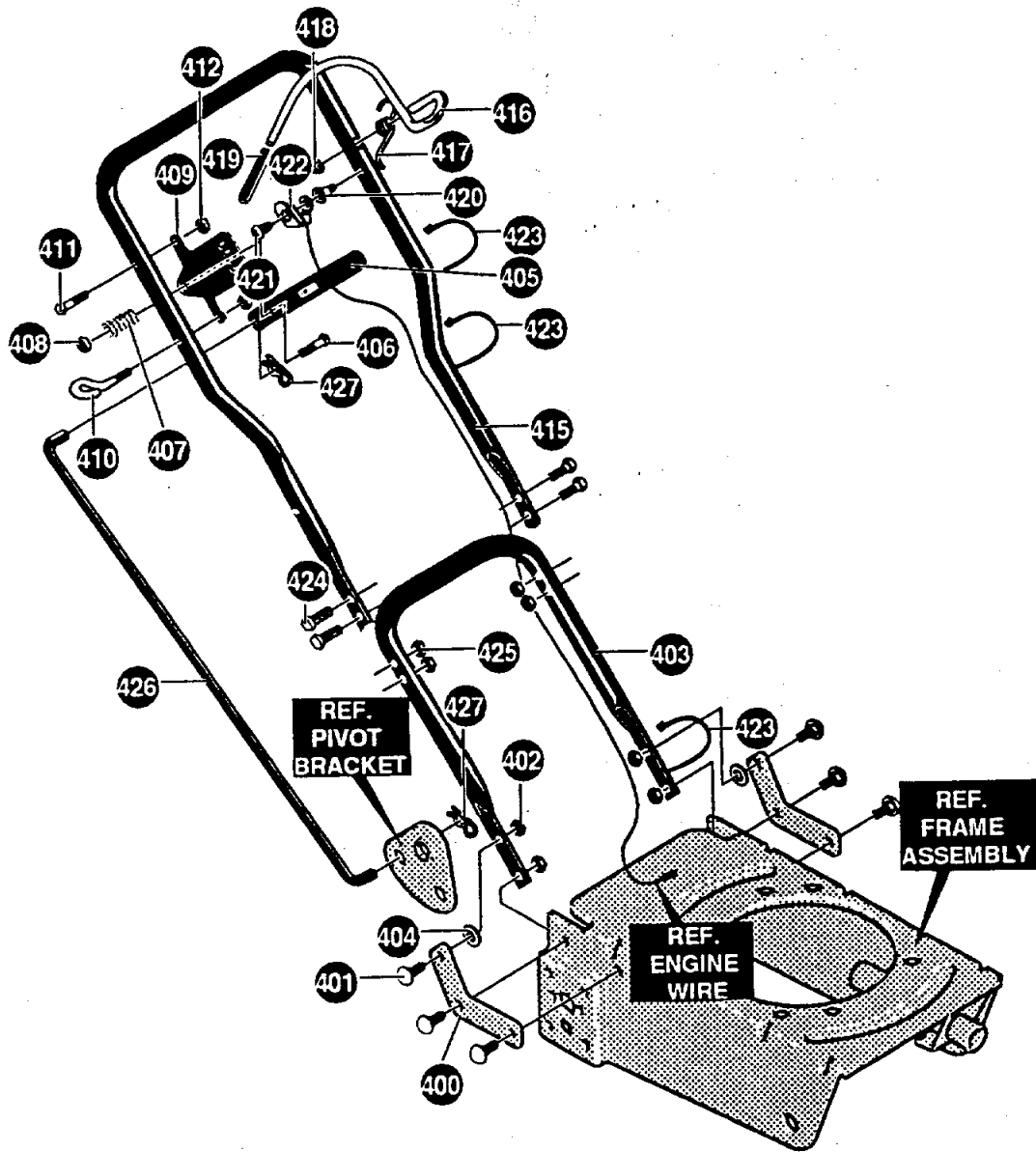


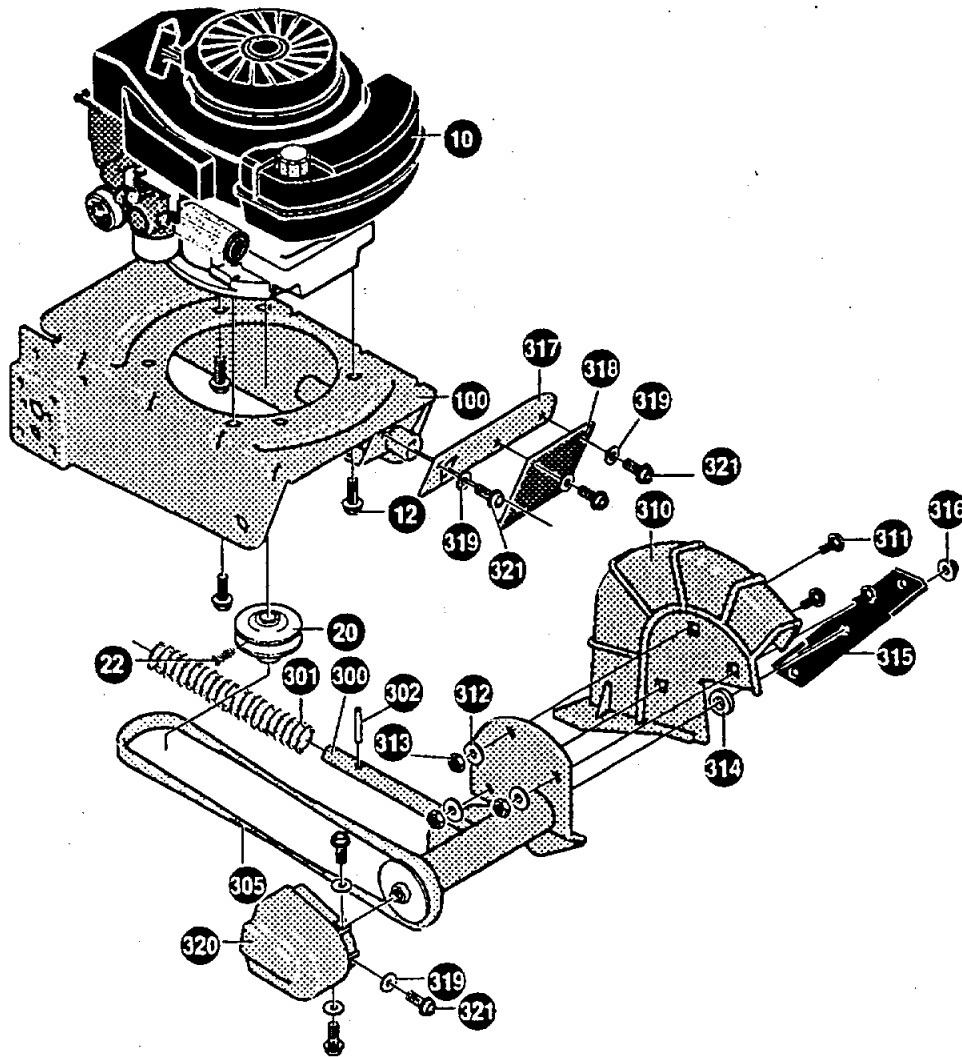
**CRAFTSMAN 9" - 3.5 H.P. EDGER 536.797410  
HANDLE ASSEMBLY**



339591A

REF. NO.	PART NO.	PART NAME	REF. NO.	PART NO.	PART NAME
400	337323-833	Bracket, Handle	415	337713-853	Handle, Upper
401	57101	Carriage Bolt 5/16-18x.75	416	337744	Bail, Operator Control
402	45174	Nut, 5/16-18 Hexwdfllk	417	337775	Spring, Torsion
403	332232-853	Handle, Lower 7/8"	418	314276	Nut, Push on 1/4
404	45602	Flatwasher .333x.87x.119	419	339489	Cap, Operator Control
405	337321-853	Handle, Depth Adjust	420	339229	Insulator, Operator Control
406	180081	Screw, 5/16-18x1.25	421	57796	Screw, #6x.50 Plastite
407	25644	Spring	422	340162	Clip, Grounding
408	1498	Nut, 5/16-18 Reghexctrlk	423	57444	Cable Tie
409	337322-853	Bracket, Quadrant	424	180081	Screw, 5/16-18x1.25
410	321354	Rope Guide	425	1498	Nut, 5/16-18 Reghexctrlk
411	180024	Screw, 1/4-20x1.25	426	337326	Control Rod
412	1502	Nut, 1/4-20 Reghexctrlk	427	36368	Hair Pin

**CRAFTSMAN 9" - 3.5 H.P. EDGER 536.797410  
ENGINE/FRAME ASSEMBLY**



**Note: Always use original equipment parts. Use of service/replacement parts other than original parts may void your warranty.**

**All unnumbered items are interchangeable with opposite side**

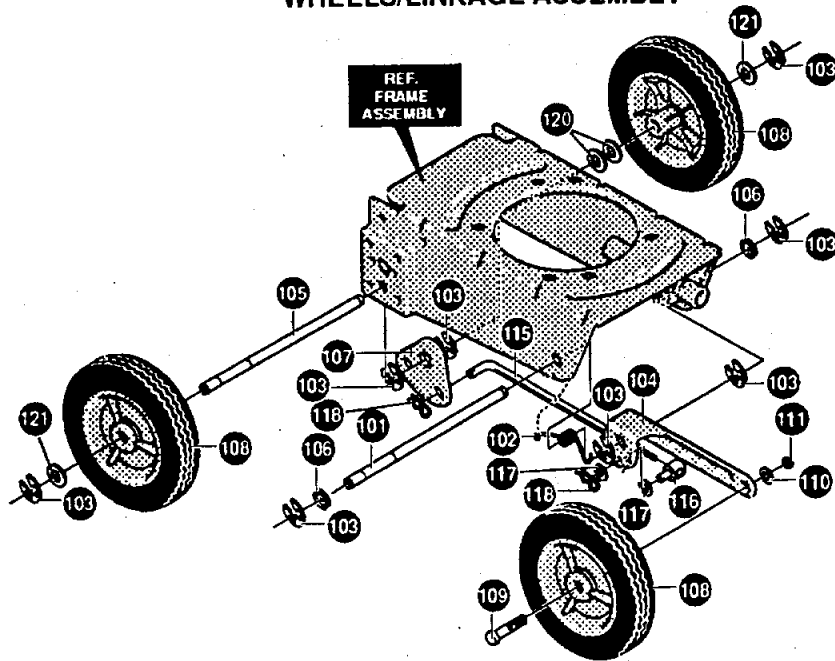
339589A

REF. NO.	PART NO.	PART NAME
10	ENGINE	3.5 HP 143.963506 (See Engine pages)
12	48148	Screw, 3/8-16 x 1.00
20	52052	Pulley, V3L 2.50X.75
22	102580	Screw, 5/16-18 x .25
100	337658-833	Frame Assembly
300	339283	Quill Assembly
301	51603	Spring
302	412281	Pin, Spring
305	32668	Belt, V 4L 32.60Lg
310	336555	Guard, Blade
311	57072	Carriage Bolt, 5/16-18x.63

REF. NO.	PART NO.	PART NAME
312	120393	Flatwasher .344x.69x.065
313	1498	Nut, 5/16-18 Reghexctrk
314	22265	Flatwasher.515x1.38x.119
315	20562	Blade, Edger
316	46023	Nut, 1/2-20 WDFL
317	337792-833	Plate, Rubber Flap
318	338582	Deflector, Rubber
319	1501	Flatwasher .203x.56x.040
320	336631	Belt Guard
321	411666	Screw, 10-16x.50 TAP
	339905	Owner's Manual Eng/Sp

# CRAFTSMAN 9" - 3.5 H.P. EDGER 536.797410

## WHEELS/LINKAGE ASSEMBLY

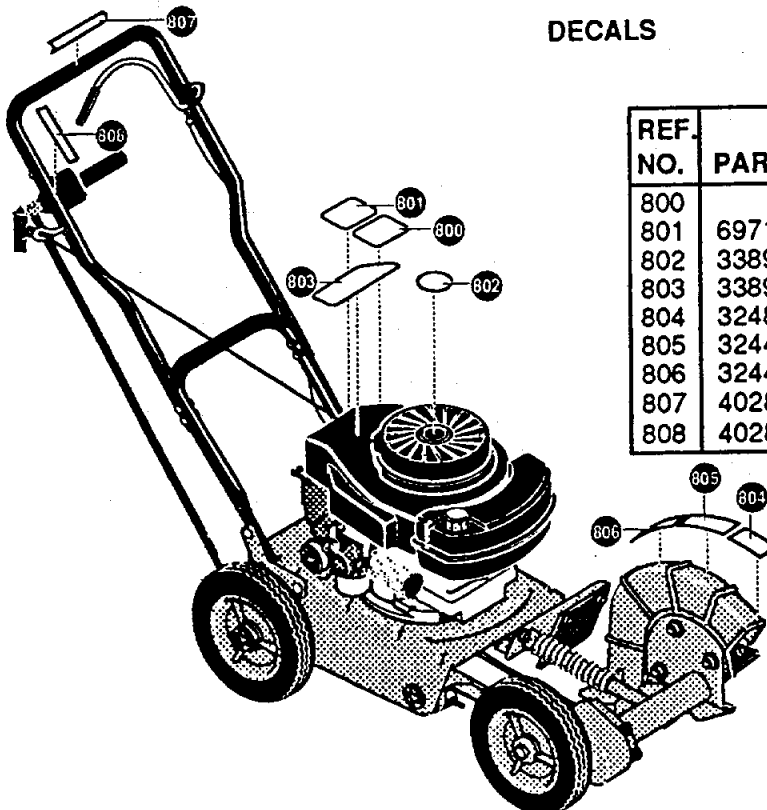


339590A

REF. NO.	PART NO.	PART NAME
101	339286	Front Axle
102	339146	Spring, Axle Torsion
103	20864	Ring, Ret. E.
104	337871-833	Bracket, Front Wheel
105	339284	Axle, Rear Vertical
106	417098	Flatwasher .531x1.06x.063
107	337333	Bracket, Linkage
108	339079	Tire & Rim 7x1.50
109	27142	Shoulder Bolt, 3/8-16

REF. NO.	PART NO.	PART NAME
110	120394	Flatwasher .406x.81x.065
111	1499	Nut, 3/8-16 Reghexctrlk
115	337327	Rod, Control
116	584593	Nut, Trunnion 5/16-24
117	4230	Flatwasher .328x.68x.104
118	36368	Hair Pin .072 Dia x1.13Lg
120	49998	Flatwasher .520x1.25x.209
121	2968	Flatwasher .504x.75x.059

## DECALS



REF. NO.	PART NO.	PART NAME
800		Reference Only
801	69711	Decal, Information Danger
802	338984	Decal, Recoil Cover
803	338980	Decal, Engine Sears
804	324860	Decal, Blade Rotation
805	324475	Decal, Danger Blade
806	324476	Decal, Warning Edger
807	402862	Decal, Eng. Cont. Lever
808	402859	Decal, Blade Height

339592A