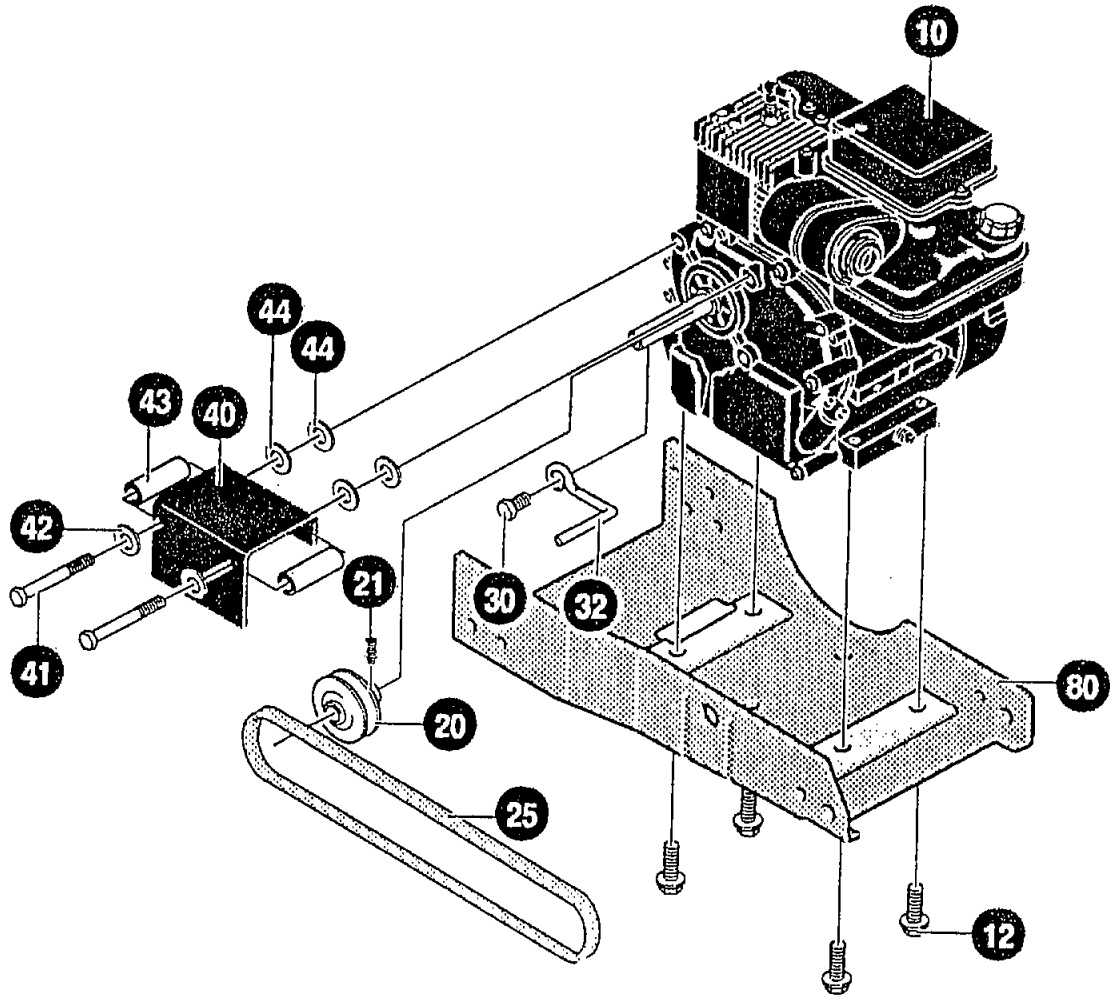


EDGER/TRIMMER PARTS MODEL 13052X22

ENGINE ASSEMBLY

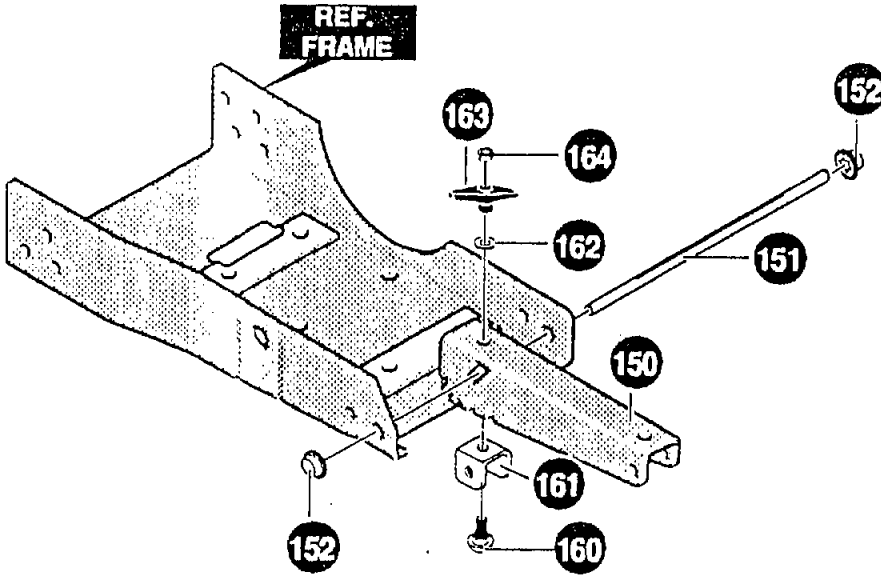


KEY #	PART#	DESCRIPTION
10	ENGINE	3.5 HP B&S (SEE ENGINE MANUAL)
12	48148	SCREW, 3/8-16X1.00
20	32689	PULLEY, ENGINE
21	102580	SCREW, 5/16-18X.25 ALHSETCPPL
25	32668	BELT, V 4L 32.60LG
30	313011	SCREW AND WASHER ASSEMBLY
32	51600	BELT GUIDE
40	53406-884	COVER, ENGINE PULLEY
41	181624	SCREW, 5/16-24X3.00
42	120393	FLATWASHER, .344X.69X.065
43	53407	SPACER, SLEV .335X.43X.37
44	120393	FLATWASHER, .344X.69X.065
80	52154-884	FRAME, EDGER
	338629	MANUAL, OWNER'S

324722D

EDGER/TRIMMER PARTS MODEL 13052X22

WHEEL BRACKET ASSEMBLY



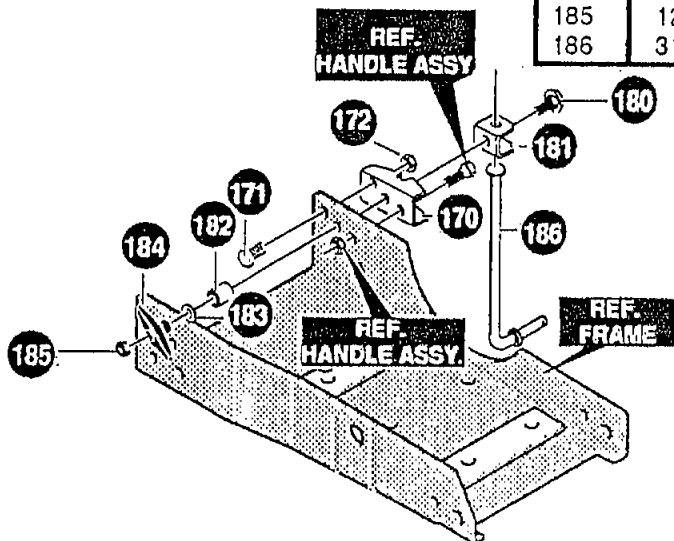
KEY #	PART#	DESCRIPTION
150	51620-884	CHANNEL, FRONT WHEEL
151	51376	ROD, FRONT MOUNT CURB HOP
152	51615	PUSHNUT, WASHER
160	120230	CARR. BOLT, 5/16-18X1.25
161	8082	CLEVIS
162	120393	FLATWASHER, .344X.69X.065
163	13527	T-KNOB
164	120376	NUT, 5/16-18 REGHEX

332094B

CURB HOPPER ASSEMBLY

KEY #	PART#	DESCRIPTION
170	6842	BRACKET, CURB HOP MNT
171	180077	SCREW, 5/16-18X.75
172	1498	NUT, 5/16-18 REGHEXCTRLK
180	126380	CARR. BOLT, 5/16-18X2.00
181	8082	CLEVIS
182	45222	SPACER, SLEV .356X.63X1.01
183	120393	FLATWASHER .344X.69X.065
184	13527	T-KNOB
185	120376	NUT, 5/16-18 REGHEX
186	310896	ROD, WHEEL SUPPORT

323416B



A4
18