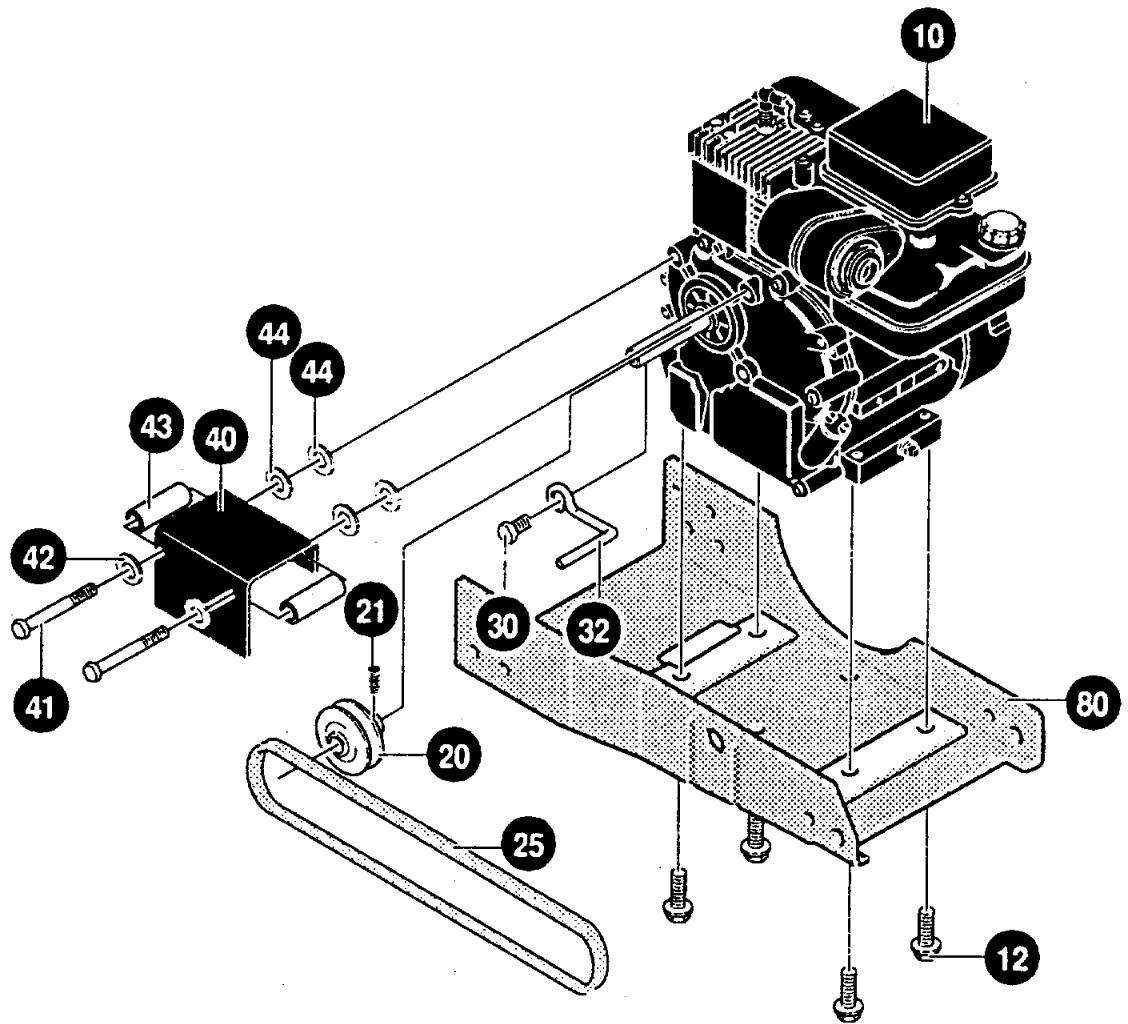


EDGER/TRIMMER PARTS MODEL 13050X6

ENGINE ASSEMBLY

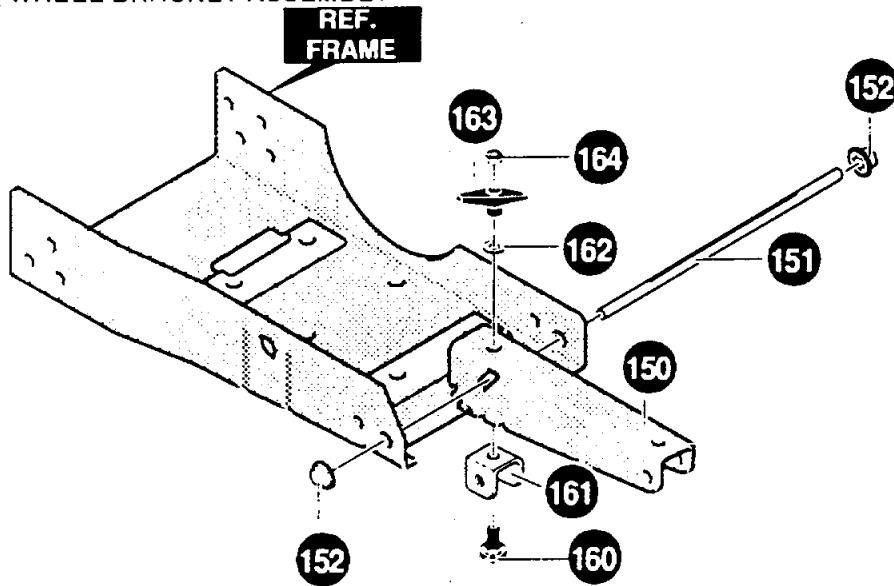


KEY #	PART#	DESCRIPTION
10	ENGINE	3.5 HP B&S (SEE ENGINE MANUAL)
12	48148	SCREW, 3/8-16X1.00
20	32689	PULLEY, ENGINE
21	102580	SCREW, 5/16-18X.25 ALHSETCPPL
25	32668	BELT, V 4L 32.60LG
30	313011	SCREW AND WASHER ASSEMBLY
32	51600	BELT GUIDE
40	53406-850	COVER, ENGINE PULLEY
41	181624	SCREW, 5/16-24X3.00
42	120393	FLATWASHER, .344X.69X.065
43	53407	SPACER, SLEV .335X.43X.37
44	120393	FLATWASHER, .344X.69X.065
80	52154-850	FRAME, EDGER
	338630	MANUAL, OWNER'S

324722D

EDGER/TRIMMER PARTS MODEL 13050X6

WHEEL BRACKET ASSEMBLY



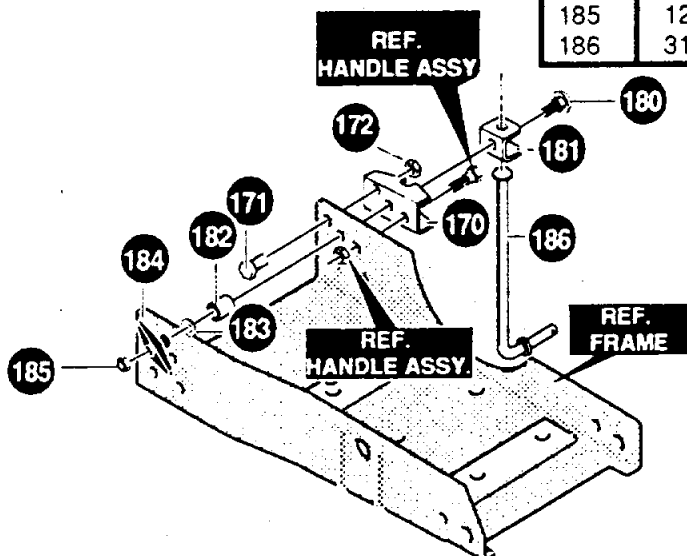
KEY #	PART#	DESCRIPTION
150	51620-850	CHANNEL, FRONT WHEEL
151	51376	ROD, FRONT MOUNT CURB HOP
152	51615	PUSHNUT, WASHER
160	120230	CARR. BOLT, 5/16-18X1.25
161	8082	CLEVIS
162	120393	FLATWASHER, .344X.69X.065
163	13527	T-KNOB
164	120376	NUT, 5/16-18 REGHEX

332094B

CURB HOPPER ASSEMBLY

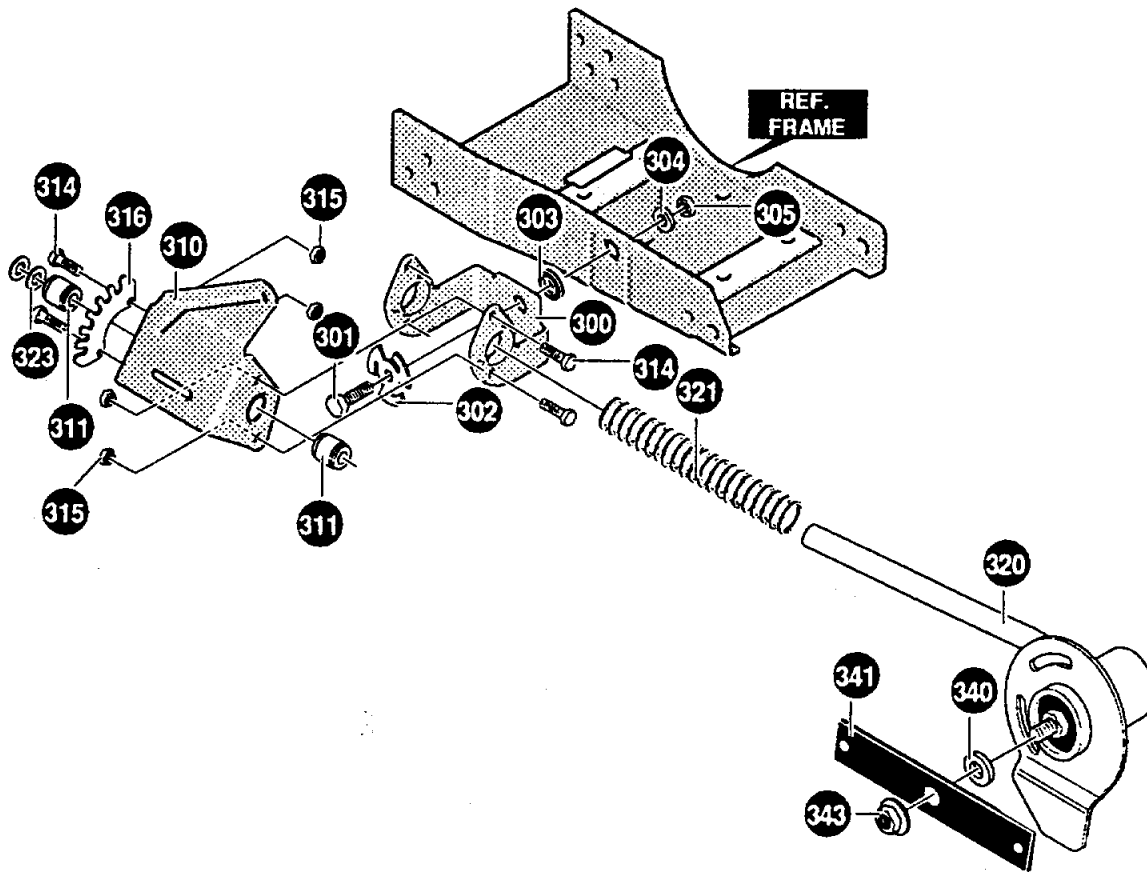
KEY #	PART#	DESCRIPTION
170	6842	BRACKET, CURB HOP MNT
171	180077	SCREW, 5/16-18X.75
172	1498	NUT, 5/16-18 REGHEXCTRLK
180	126380	CARR. BOLT, 5/16-18X2.00
181	8082	CLEVIS
182	45222	SPACER, SLEV .356X.63X1.01
183	120393	FLATWASHER .344X.69X.065
184	13527	T-KNOB
185	120376	NUT, 5/16-18 REGHEX
186	310896	ROD, WHEEL SUPPORT

323416B



EDGER/TRIMMER PARTS MODEL 13050X6

BLADE COMPONENT ASSEMBLY

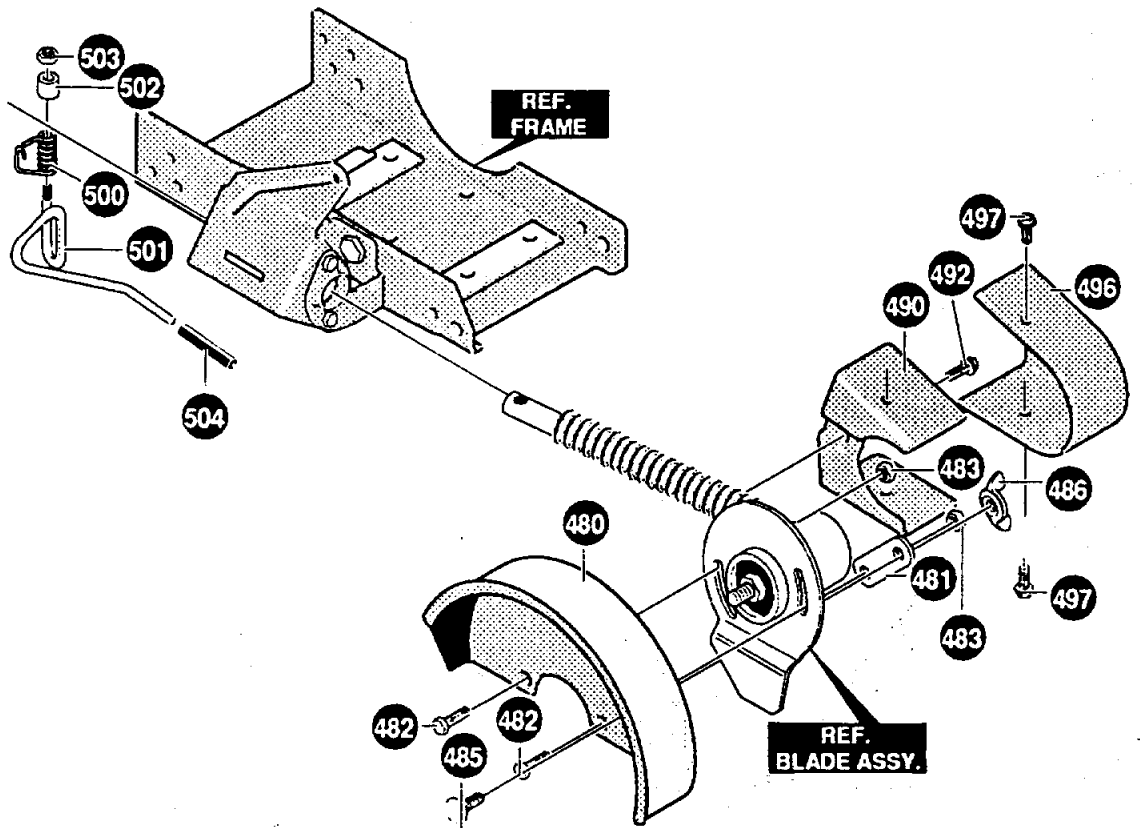


KEY #	PART#	DESCRIPTION
300	51629-850	SUPPORT ARM, INNER
301	51601	SHOULDER BOLT, 3/8-16
302	22265	FLATWASHER .515X1.38X.119
303	45405	SPACER, QUICK WHEEL
304	845	FLATWASHER, .390X1.25X.119
305	1499	NUT, 3/8-16 REGHEXCTRLK
310	51630-850	SUPPORT ARM, OUTER
311	338607	BEARING, SFAL
314	180020	SCREW, 1/4-20X.75
315	1502	NUT, 1/4-20 REGHEXCTRLK
316	6846	PLATE, INDEX
320	337802	QUILL, ASSY
321	51603	SPRING
323	40677	FLATWASHER, .640X1.25X.06
340	22265	FLATWASHER .515X1.38X.119
341	337803-853	BLADE EDGER
343	46023	NUT, 1/2-20 WDFL

323413E

EDGER/TRIMMER PARTS MODEL 13050X6

BLADE GUARD ASSEMBLY

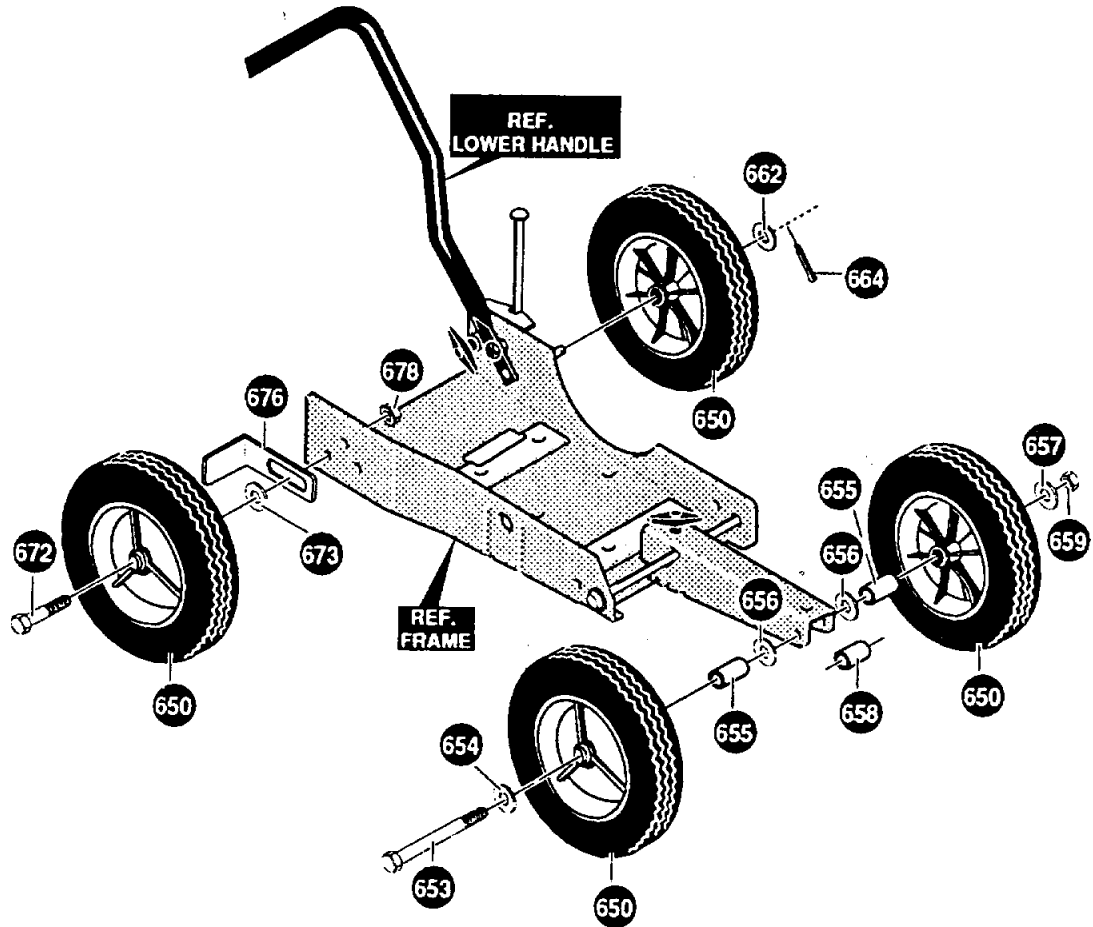


KEY #	PART#	DESCRIPTION
480	337800-850	GUARD, BLADE EXTENDED
481	6844	BAR, LOCKING
482	180077	SCREW, 5/16-18X.75
483	1498	NUT, 5/16-18 REGHEXCTRLK
485	57101	CARR. BOLT, 5/16-18X.75
486	997206	WING NUT
490	53915-850	GUIDE, BELT FRONT
492	995346	SCREW, 1/4-20X.50 WAHHTAP
496	53405-850	COVER, QUILL PULLEY
497	302652	SCREW, 10-24X.38 HWASEMTAP
500	51612	SPRING, INDEX
501	54787	LEVER, INDEX
502	51842	SPACER, SLEV .33X.50X.25
503	1498	NUT, 5/16-18 REGHEXCTRLK
504	51598	GRIP, INDEX LEVER

323288C

EDGER/TRIMMER PARTS MODEL 13050X6

TIRES W/SCRAPER ASSEMBLY

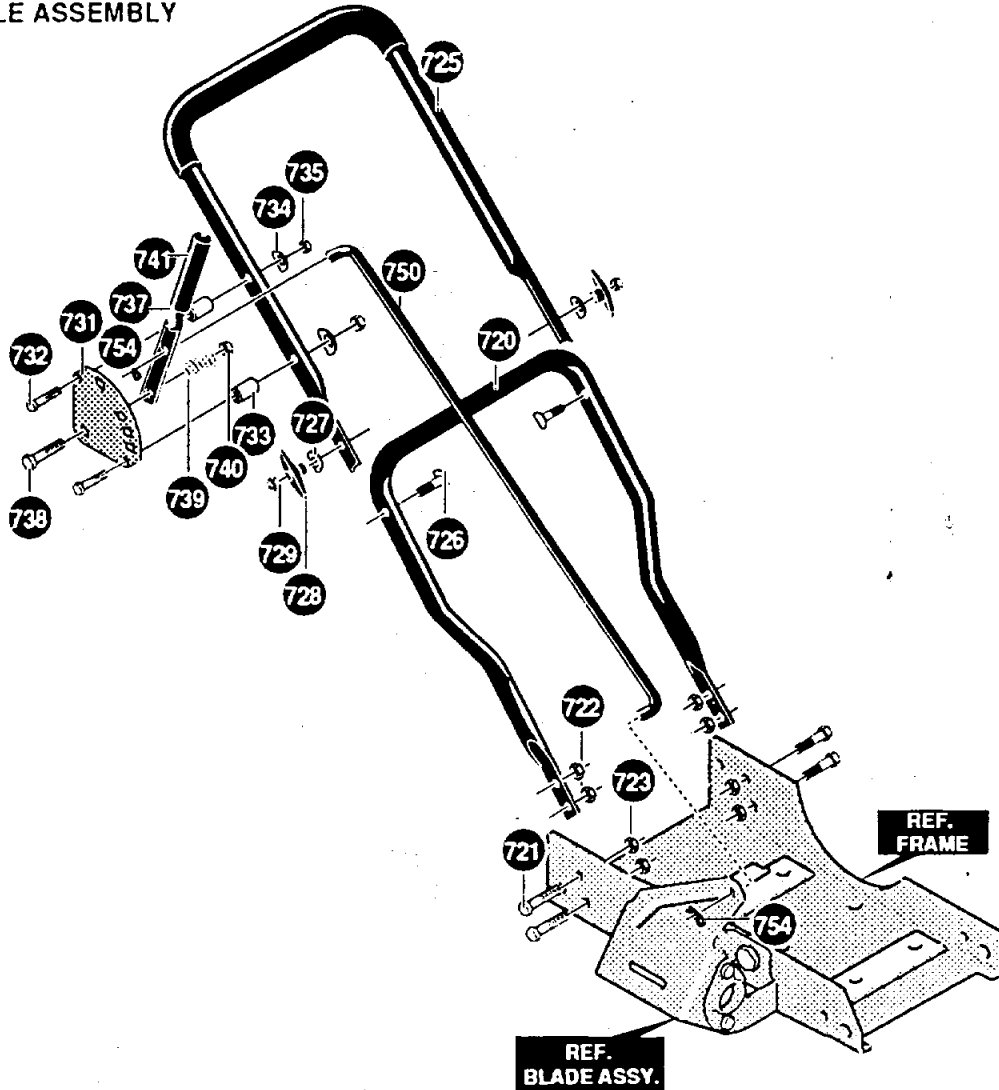


KEY #	PART#	DESCRIPTION
650	331579	TIRE & RIM
653	190628	SCREW, 5/16-18X4.50
654	120393	FLATWASHER .344X.69X.065
655	51887	SPACER, SLEV .328X.495X1.39
656	120393	FLATWASHER .344X.69X.065
657	120393	FLATWASHER .344X.69X.065
658	51888	SPACER, SLEV .328X.495X1.05
659	1498	NUT, 5/16-18 REGHEXCTRLK
662	2968	FLATWASHER .504X.75X.059
664	121222	PIN, COTTER .090 DIA X.75 LG
672	23763	SHOULDER BOLT, 3/8-16
673	996416	FLATWASHER .391X1.00X.125
676	9273	SCRAPER, WHEEL
678	45171	NUT, 3/8-16 WHIZ-LOCK

328446E

EDGER/TRIMMER PARTS MODEL 13050X6

HANDLE ASSEMBLY

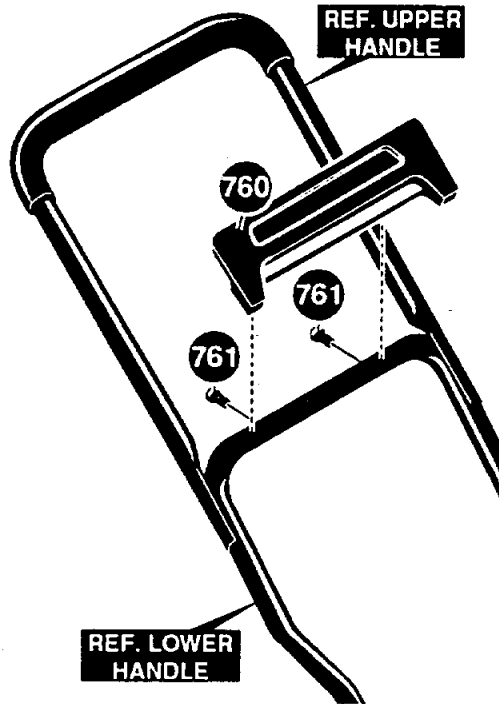


KEY #	PART#	DESCRIPTION
720	577179-853	LOWER HANDLE, 7/8
721	180079	SCREW, 5/16-18X1.00
722	45174	NUT, 5/16-18 HEXWDFLLK WHIZ
723	309936	NUT, 5/16-18 HEXCTRLKJAM
725	577286	UPPER HANDLE W/FOAM
726	315288	CURVED HEAD BOLT, 5/16-18X1.75
727	8728	FORMED WASHER
728	13527	T-KNOB 2 BLADE W/5/16-18 NUT
729	120376	NUT, 5/16-18 REGHEX
731	57020-853	PLATE, QUADRANT SHIFT/ENGAG
732	180044	SCREW, 1/4-20X2.00
733	56293	SPACER, SLEV .281X.50X.68
734	8728	FORMED WASHER
735	1502	NUT, 1/4-20 REGHEXCTRLK
737	305272-853	HANDLE, DEPTH ADJUST
738	180081	SCREW, 5/16-18X1.25
739	25644	SPRING
740	1498	NUT, 5/16-18 REGHEXCTRLK
741	20250	GRIP, HAND
750	57021	ROD, DEPTH CONTROL
754	36368	PIN, HAIR .072DIAX1.13LG

326655B

EDGER/TRIMMER PARTS MODEL 13050X6

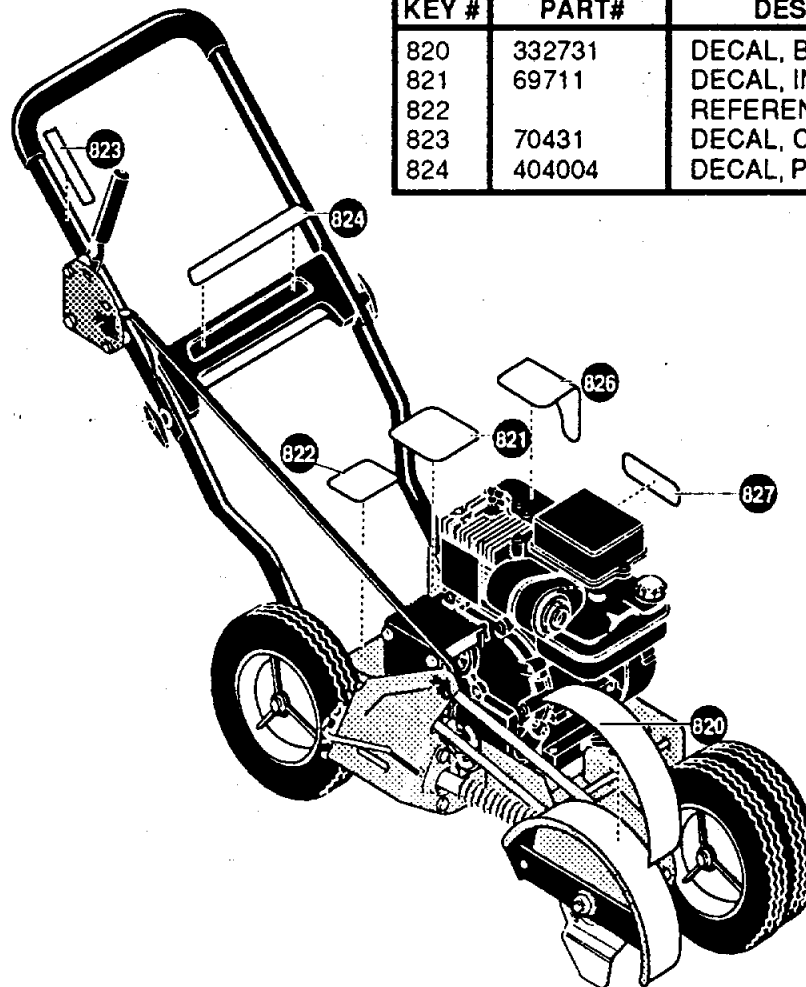
HANDLE PANEL ASSEMBLY



KEY #	PART#	DESCRIPTION
760	54891	SHROUD, HANDLE
761	426221	SCREW, 10-16X.75 SLHTAP

328475C

DECAL ASSEMBLY



KEY #	PART#	DESCRIPTION
820	332731	DECAL, BLADE GUARD
821	69711	DECAL, INFORMATION - !DANGER! REFERENCE ONLY
822	70431	DECAL, CLUTCH
823	404004	DECAL, PANEL "ULTRA BY MURRAY"

323414E